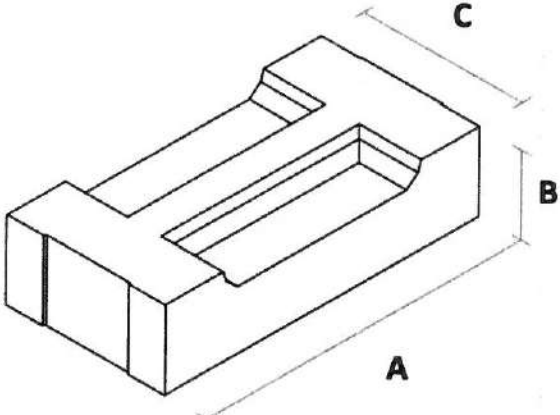
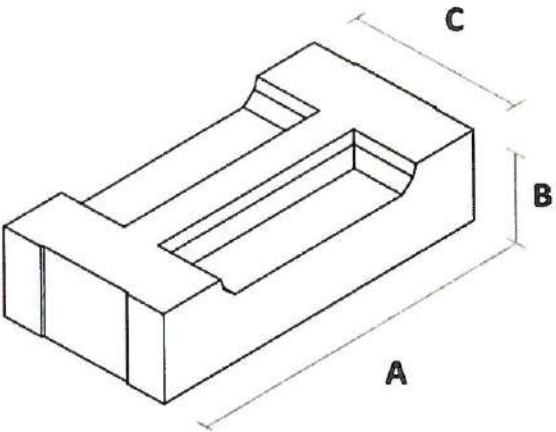


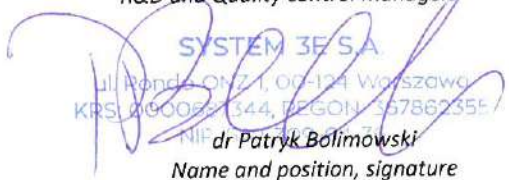
# Declaration of Performance

S3E EKO+/S0 200 WP/II/01/23

1. Unique identification code of the product-type:		<b>Masonry element from aggregate concrete (with lightweight aggregates) in SYSTEM 3E EKO+ technology, category I. Type: S0 200 WP</b>	
2. Intended use/es:		For masonry walls, columns and partitions	
3. Manufacturer:		<b>SYSTEM 3E S.A.</b> Rondo ONZ 1, 00-124 Warszawa	
4. System/s of AVCP:		<b>System 2+</b>	
5. Harmonised standard: Notified body/ies:		<b>EN 771-3:2011+A1:2015</b> Instytut Materiałów Budowlanych i Technologii Betonu Sp. z o.o., notification nr. 2311	
6. Declared performance/s:			
<b>Essential characteristics</b>		<b>Performance</b>	
Dimensions and deviations from dimensions	Dimensions	length (A)	704 mm
		height (B)	200 mm
		width (C)	352 mm
	Deviations	D4	
Shape	 <p style="text-align: center;">Area of recesses does not exceed 20% of the elements total volume</p>		
Compressive strength		$\geq 1,5 \text{ N/mm}^2$ Cat I	
Dimension stability		$\leq 0,30 \text{ mm/m}$	
Strength of joint	shear	NPD	
	bending	NPD	
Resistance to fire		A1	
Water absorption		after 10 min: $\leq 40 \text{ g/m}^2 * s^{0,5}$	
Water vapour permeability		$\mu \leq 15$	

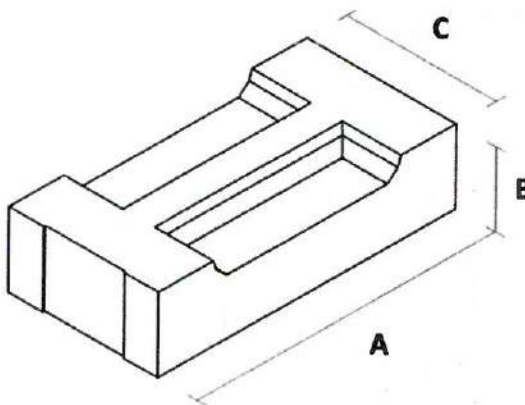
Airborne sound insulation	Gross dry density	310±10% kg/m <sup>3</sup>
	Shape	
Thermal resistance	Thermal transmittance	$\lambda = 0,072 \pm 0,003 \text{ W}/(\text{m}^2 \cdot \text{K})$
Freeze/thaw durability	Do not expose to the outdoors	
Hazardous substances	NPD	

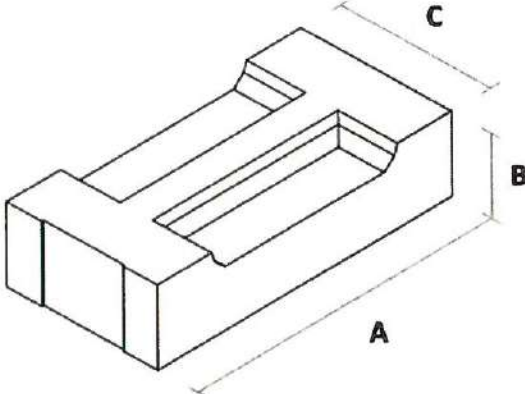
The performance of the product identified above is in conformity with the set of declared performance characteristics. This declaration of performance is issued in accordance with Regulation (EU) No 305/2011 under the sole responsibility of the manufacturer identified above.

<p>On behalf of the manufacturer signed:</p> <p>in Warsaw, on 01.03.2023</p> <p>Place and date of issue</p>	<p>R&amp;D and Quality control manager</p>  <p>SYSTEM 3E S.A. ul. Ronda ONZ 1, 00-124 Warszawa KRS 000053344, REGON 145786235 NIP 525200173</p> <p>dr Patryk Bólimowski Name and position, signature</p>
---	--

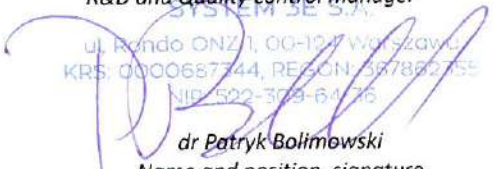
# Declaration of Performance

S3E EKO+/S0 200 W/1/01/23

1. Unique identification code of the product-type:	<b>Masonry element from aggregate concrete (with lightweight aggregates) in SYSTEM 3E EKO+ technology, category I. Type: S0 200 W</b>		
2. Intended use/es:	For masonry walls, columns and partitions		
3. Manufacturer:	<b>SYSTEM 3E S.A.</b> Rondo ONZ 1, 00-124 Warszawa		
4. System/s of AVCP:	<b>System 2+</b>		
5. Harmonised standard: Notified body/ies:	<b>EN 771-3:2011+A1:2015</b> Instytut Materiałów Budowlanych i Technologii Betonu Sp. z o.o., notification nr. 2311		
6. Declared performance/s:			
<b>Essential characteristics</b>		<b>Performance</b>	
Dimensions and deviations from dimensions	Dimensions	length (A)	704 mm
		height (B)	200 mm
		width (C)	352 mm
	Deviations	D4	
Shape	 <p style="text-align: center;">Area of recesses does not exceed 20% of the elements total volume</p>		
Compressive strength	≥ 1,5 N/mm <sup>2</sup>		Cat I
Dimension stability	≤ 0,30 mm/m		
Strength of joint	shear	NPD	
	bending	NPD	
Resistance to fire	A1		
Water absorption	after 10 min:	≤ 40 g/m <sup>2</sup> * s <sup>0,5</sup>	
Water vapour permeability	μ ≤ 15		

Airborne sound insulation	Gross dry density	310±10% kg/m <sup>3</sup>
	Shape	
Thermal resistance	Thermal transmittance	$\lambda = 0,072 \pm 0,003 \text{ W}/(\text{m}^2 \cdot \text{K})$
Freeze/thaw durability	Do not expose to the outdoors	
Hazardous substances	NPD	

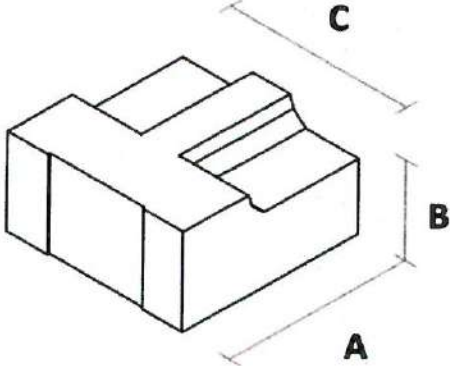
*The performance of the product identified above is in conformity with the set of declared performance characteristics. This declaration of performance is issued in accordance with Regulation (EU) No 305/2011 under the sole responsibility of the manufacturer identified above.*

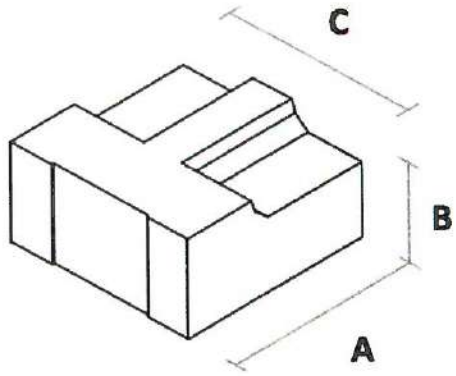
<p>On behalf of the manufacturer signed:</p> <p>in Warsaw, on 01.03.2023</p> <p>Place and date of issue</p>	<p>R&amp;D and Quality control manager</p> <p>SYSTEM 3E S.A.</p> <p>ul. Pando ONZ 1, 00-121 Warszawa</p> <p>KRS: 0000687744, REGON: 387862755</p> <p>NIP: 522-309-6476</p>  <p>dr Patryk Bolimowski</p> <p>Name and position, signature</p>
---	---



# Declaration of Performance

S3E EKO+/S0.2 200 W/1/01/23

1. Unique identification code of the product-type:		<b>Masonry element from aggregate concrete (with lightweight aggregates) in SYSTEM 3E EKO+ technology, category I. Type: S0/2 200W</b>	
2. Intended use/es:		For masonry walls, columns and partitions	
3. Manufacturer:		SYSTEM 3E S.A. Rondo ONZ 1, 00-124 Warszawa	
4. System/s of AVCP:		System 2+	
5. Harmonised standard: Notified body/ies:		EN 771-3:2011+A1:2015 Instytut Materiałów Budowlanych i Technologii Betonu Sp. z o.o., notification nr. 2311	
6. Declared performance/s:			
<b>Essential characteristics</b>		<b>Performance</b>	
Dimensions and deviations from dimensions	Dimensions	length (A)	352 mm
		height (B)	200 mm
		width (C)	352 mm
	Deviations	D4	
Shape	 <p style="text-align: center;">Area of recesses does not exceed 20% of the elements total volume</p>		
Compressive strength		≥ 1,5 N/mm <sup>2</sup> Cat I	
Dimension stability		≤ 0,30 mm/m	
Strength of joint	shear	NPD	
	bending	NPD	
Resistance to fire		A1	
Water absorption		after 10 min:      ≤ 40 g/m <sup>2</sup> * s <sup>0,5</sup>	
Water vapour permeability		μ ≤ 15	
Airborne sound insulation	Gross dry density	310±10% kg/m <sup>3</sup>	

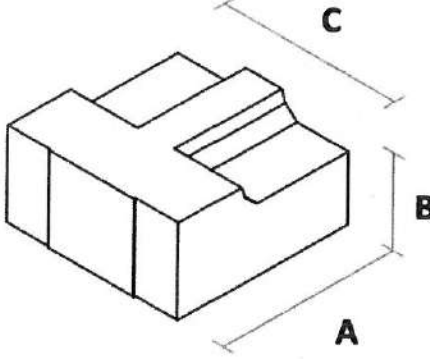
	Shape	
Thermal resistance	Thermal transmittance	$\lambda = 0,072 \pm 0,003 \text{ W}/(\text{m}^*\text{k})$
Freeze/thaw durability	Do not expose to the outdoors	
Hazardous substances	NPD	

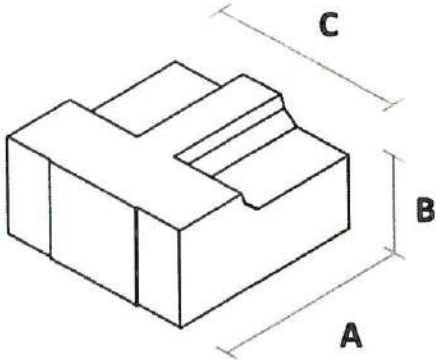
*The performance of the product identified above is in conformity with the set of declared performance characteristics. This declaration of performance is issued in accordance with Regulation (EU) No 305/2011 under the sole responsibility of the manufacturer identified above.*

<p><i>On behalf of the manufacturer signed:</i></p> <p>in Warsaw, on 01.03.2023</p> <p><i>Place and date of issue</i></p>	<p><i>R&amp;D and Quality control manager</i></p> <p>SYSTEM 3E S.A.          ul. Rondo ONZ 1, 00-124 Warszawa          KRS: 0000687244, REGON: 157562355          NIP: 522201622</p> <p><i>dr Patryk Bolimowski</i>  <i>Name and position, signature</i></p>
---	--

# Declaration of Performance

S3E EKO+/S0.2 200 P/II/01/23

1. Unique identification code of the product-type:		<b>Masonry element from aggregate concrete (with lightweight aggregates) in SYSTEM 3E EKO+ technology, category I. Type: S0/2 200 P</b>	
2. Intended use/es:		For masonry walls, columns and partitions	
3. Manufacturer:		<b>SYSTEM 3E S.A.</b> Rondo ONZ 1, 00-124 Warszawa	
4. System/s of AVCP:		<b>System 2+</b>	
5. Harmonised standard: Notified body/ies:		<b>EN 771-3:2011+A1:2015</b> Instytut Materiałów Budowlanych i Technologii Betonu Sp. z o.o., notification nr. 2311	
6. Declared performance/s:			
<b>Essential characteristics</b>		<b>Performance</b>	
Dimensions and deviations from dimensions	Dimensions	length (A)	352 mm
		height (B)	200 mm
		width (C)	352 mm
	Deviations	D4	
Shape	 <p>Area of recesses does not exceed 20% of the elements total volume</p>		
Compressive strength		≥ 1,5 N/mm <sup>2</sup>	Cat I
Dimension stability		≤ 0,30 mm/m	
Strength of joint	shear	NPD	
	bending	NPD	
Resistance to fire		A1	
Water absorption		after 10 min:	≤ 40 g/m <sup>2</sup> * s <sup>0,5</sup>
Water vapour permeability		μ ≤ 15	
Airborne sound insulation	Gross dry density	310±10% kg/m <sup>3</sup>	

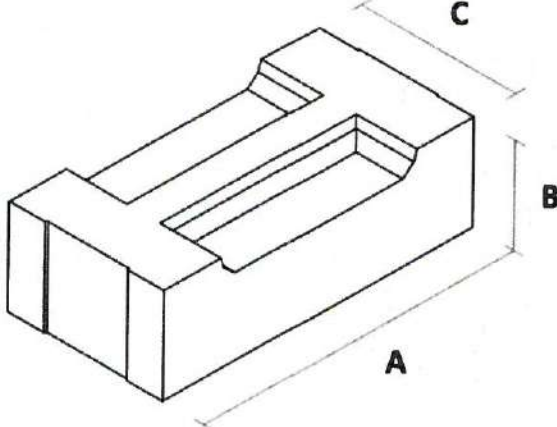
	Shape	
Thermal resistance	Thermal transmittance	$\lambda = 0,072 \pm 0,003 \text{ W}/(\text{m}^*\text{K})$
Freeze/thaw durability	Do not expose to the outdoors	
Hazardous substances	NPD	

*The performance of the product identified above is in conformity with the set of declared performance characteristics. This declaration of performance is issued in accordance with Regulation (EU) No 305/2011 under the sole responsibility of the manufacturer identified above.*

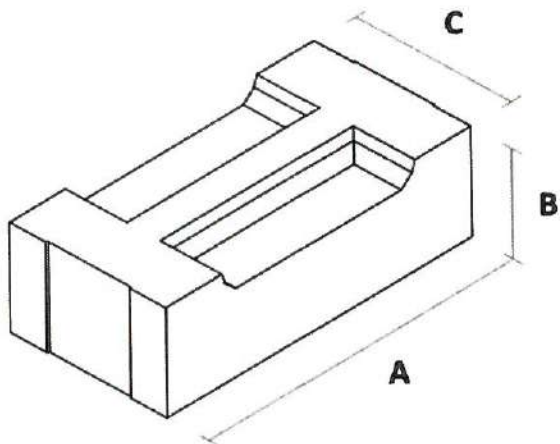
<p><i>On behalf of the manufacturer signed:</i></p> <p>in Warsaw, on 01.03.2023</p> <p><i>Place and date of issue</i></p>	<p><i>R&amp;D and Quality control manager</i></p> <p>SYSTEM 3E S.A.  ul. Rondo ONZ 1, 00-724 Warszawa  KRS: 0000687344, REGON: 307862855  NIP: 525-54-426</p> <p><i>Dr Patryk Bolimowski</i>  <i>Name and position, signature</i></p>
---	---

# Declaration of Performance

S3E EKO+/S0 250 WP//01/23

1. Unique identification code of the product-type:	<b>Masonry element from aggregate concrete (with lightweight aggregates) in SYSTEM 3E EKO+ technology, category I. Type: S0 250 WP</b>		
2. Intended use/es:	For masonry walls, columns and partitions		
3. Manufacturer:	<b>SYSTEM 3E S.A.</b> Rondo ONZ 1, 00-124 Warszawa		
4. System/s of AVCP:	<b>System 2+</b>		
5. Harmonised standard: Notified body/ies:	<b>EN 771-3:2011+A1:2015</b> Instytut Materiałów Budowlanych i Technologii Betonu Sp. z o.o., notification nr. 2311		
6. Declared performance/s:			
<b>Essential characteristics</b>		<b>Performance</b>	
Dimensions and deviations from dimensions	Dimensions	length (A)	704 mm
		height (B)	250 mm
		width (C)	352 mm
	Deviations	D4	
Shape	 <p>Area of recesses does not exceed 20% of the elements total volume</p>		
Compressive strength	≥ 1,5 N/mm <sup>2</sup>		Cat I
Dimension stability	≤ 0,30 mm/m		
Strength of joint	shear	NPD	
	bending	NPD	
Resistance to fire	A1		
Water absorption	after 10 min:	≤ 40 g/m <sup>2</sup> * s <sup>0,5</sup>	
Water vapour permeability	μ ≤ 15		



Airborne sound insulation	Gross dry density	310±10% kg/m <sup>3</sup>
	Shape	
Thermal resistance	Thermal transmittance	$\lambda = 0,072 \pm 0,003 \text{ W/(m}^2\text{K)}$
Freeze/thaw durability	Do not expose to the outdoors	
Hazardous substances	NPD	

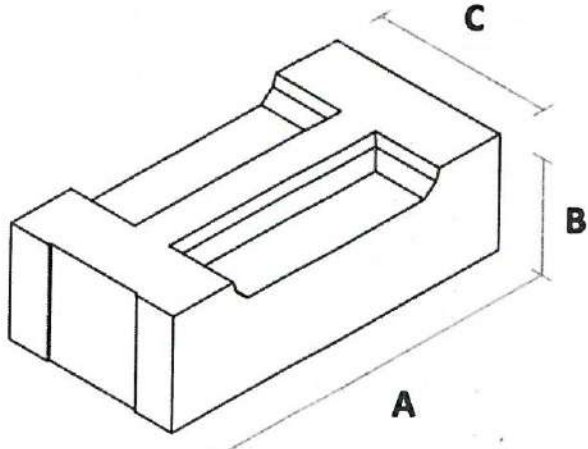
The performance of the product identified above is in conformity with the set of declared performance characteristics. This declaration of performance is issued in accordance with Regulation (EU) No 305/2011 under the sole responsibility of the manufacturer identified above.

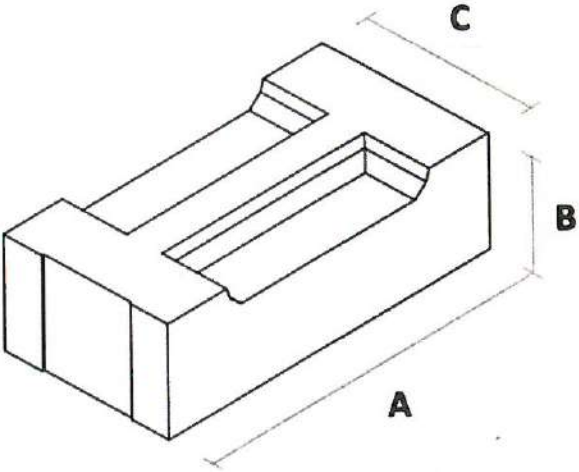
<p>On behalf of the manufacturer signed:</p> <p>in Warsaw, on 01.03.2023</p> <p>Place and date of issue</p>	<p>R&amp;D and Quality control manager</p> <p><i>[Signature]</i></p> <p>SYSTEM 3E S.A.          ul. Pondo ONZ 1, 00-124 Warszawa          KRS: 000087344, REGON: 147852354          NIP: 5253006435</p> <p>dr Patryk Bolimowski          Name and position, signature</p>
---	---



# Declaration of Performance

S3E EKO+/S0 250 W/II/01/23

1. Unique identification code of the product-type:		<b>Masonry element from aggregate concrete (with lightweight aggregates) in SYSTEM 3E EKO+ technology, category I. Type: S0 250 W</b>	
2. Intended use/es:		For masonry walls, columns and partitions	
3. Manufacturer:		<b>SYSTEM 3E S.A.</b> Rondo ONZ 1, 00-124 Warszawa	
4. System/s of AVCP:		<b>System 2+</b>	
5. Harmonised standard: Notified body/ies:		<b>EN 771-3:2011+A1:2015</b> Instytut Materiałów Budowlanych i Technologii Betonu Sp. z o.o., notification nr. 2311	
6. Declared performance/s:			
<b>Essential characteristics</b>		<b>Performance</b>	
Dimensions and deviations from dimensions	Dimensions	length (A)	704 mm
		height (B)	250 mm
		width (C)	352 mm
	Deviations	D4	
Shape	 <p>Area of recesses does not exceed 20% of the elements total volume</p>		
Compressive strength		≥ 1,5 N/mm <sup>2</sup> Cat I	
Dimension stability		≤ 0,30 mm/m	
Strength of joint	shear	NPD	
	bending	NPD	
Resistance to fire		A1	
Water absorption		after 10 min:      ≤ 40 g/m <sup>2</sup> * s <sup>0,5</sup>	
Water vapour permeability		μ ≤ 15	

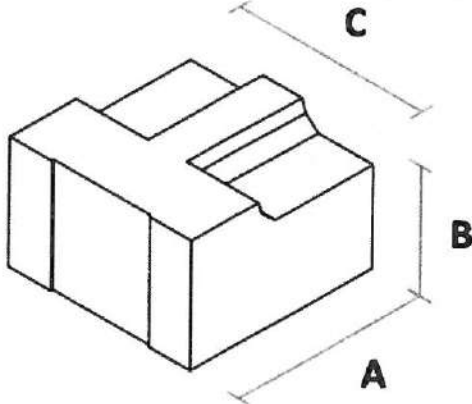
Airborne sound insulation	Gross dry density	310±10% kg/m <sup>3</sup>
	Shape	
Thermal resistance	Thermal transmittance	$\lambda = 0,072 \pm 0,003 \text{ W}/(\text{m}^2 \cdot \text{K})$
Freeze/thaw durability	Do not expose to the outdoors	
Hazardous substances	NPD	

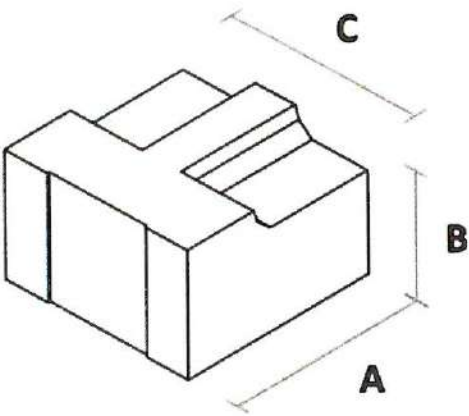
*The performance of the product identified above is in conformity with the set of declared performance characteristics. This declaration of performance is issued in accordance with Regulation (EU) No 305/2011 under the sole responsibility of the manufacturer identified above.*

<p><i>On behalf of the manufacturer signed:</i></p> <p>in Warsaw, on 01.03.2023</p> <p><i>Place and date of issue</i></p>	<p><i>R&amp;D and Quality control manager</i></p> <p>SYSTEM BE S.A.</p> <p>ul. Rondo ONZ 1, 01-124 Warszawa  KRS: 0000657344 REGON: 387802359  NIP: 522-309-64-36</p> <p><i>dr Patryk Bolimowski</i></p> <p><i>Name and position, signature</i></p>
---	---

# Declaration of Performance

S3E EKO+/S0.2 250 W/1/01/23

1. Unique identification code of the product-type:	<b>Masonry element from aggregate concrete (with lightweight aggregates) in SYSTEM 3E EKO+ technology, category I. Type: S0/2 250W</b>		
2. Intended use/es:	For masonry walls, columns and partitions		
3. Manufacturer:	SYSTEM 3E S.A. Rondo ONZ 1, 00-124 Warszawa		
4. System/s of AVCP:	System 2+		
5. Harmonised standard: Notified body/ies:	EN 771-3:2011+A1:2015 Instytut Materiałów Budowlanych i Technologii Betonu Sp. z o.o., notification nr. 2311		
6. Declared performance/s:			
<b>Essential characteristics</b>		<b>Performance</b>	
Dimensions and deviations from dimensions	Dimensions	length (A)	352 mm
		height (B)	250 mm
		width (C)	352 mm
	Deviations	D4	
Shape	 <p style="text-align: center;">Area of recesses does not exceed 20% of the elements total volume</p>		
Compressive strength			$\geq 1,5 \text{ N/mm}^2$ Cat I
Dimension stability			$\leq 0,30 \text{ mm/m}$
Strength of joint	shear	NPD	
	bending	NPD	
Resistance to fire			A1
Water absorption	after 10 min:	$\leq 40 \text{ g/m}^2 \cdot \text{s}^{0,5}$	
Water vapour permeability			$\mu \leq 15$

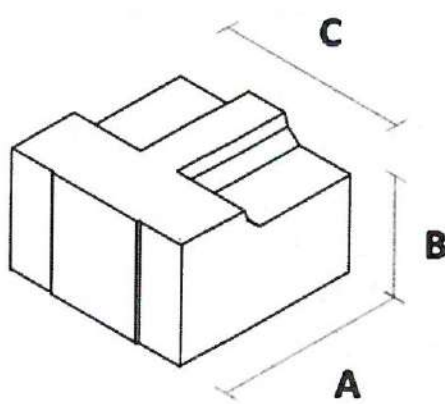
Airborne sound insulation	Gross dry density	310±10% kg/m <sup>3</sup>
	Shape	
Thermal resistance	Thermal transmittance	$\lambda = 0,072 \pm 0,003 \text{ W}/(\text{m}^2 \cdot \text{K})$
Freeze/thaw durability	Do not expose to the outdoors	
Hazardous substances	NPD	

The performance of the product identified above is in conformity with the set of declared performance characteristics. This declaration of performance is issued in accordance with Regulation (EU) No 305/2011 under the sole responsibility of the manufacturer identified above.

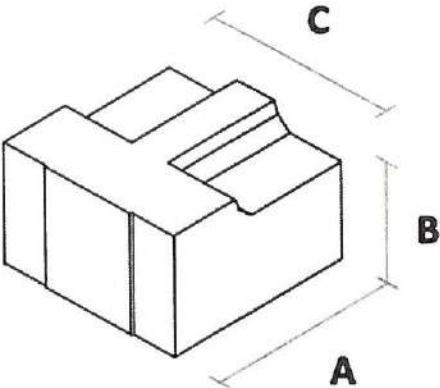
<p>On behalf of the manufacturer signed:</p> <p>in Warsaw, on 01.03.2023</p> <p>Place and date of issue</p>	<p>R&amp;D and Quality control manager</p> <p>SYSTEM 3E S.A.</p> <p>ul. Ronda ONZ 1, 00-124 Warszawa</p> <p>KRS: 0000607341, REGON: 36786235E</p> <p>NIP: 522-309-64-36</p> <p>dr Patryk Bolimowski</p> <p>Name and position, signature</p>
---	---

# Declaration of Performance

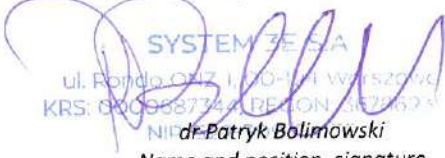
S3E EKO+/S0.2 250 P/I/01/23

1. <i>Unique identification code of the product-type:</i>		<b>Masonry element from aggregate concrete (with lightweight aggregates) in SYSTEM 3E EKO+ technology, category I. Type: S0/2 250P</b>	
2. <i>Intended use/es:</i>		For masonry walls, columns and partitions	
3. <i>Manufacturer:</i>		<b>SYSTEM 3E S.A.</b> Rondo ONZ 1, 00-124 Warszawa	
4. <i>System/s of AVCP:</i>		<b>System 2+</b>	
5. <i>Harmonised standard:</i> <i>Notified body/ies:</i>		<b>EN 771-3:2011+A1:2015</b> Instytut Materiałów Budowlanych i Technologii Betonu Sp. z o.o., notification nr. 2311	
6. <i>Declared performance/s:</i>			
<b>Essential characteristics</b>		<b>Performance</b>	
Dimensions and deviations from dimensions	Dimensions	length (A)	352 mm
		height (B)	250 mm
	Deviations	width (C)	352 mm
		D4	
Shape	 <p style="text-align: center;">Area of recesses does not exceed 20% of the elements total volume</p>		
Compressive strength		≥ 1,5 N/mm <sup>2</sup> Cat I	
Dimension stability		≤ 0,30 mm/m	
Strength of joint	shear	NPD	
	bending	NPD	
Resistance to fire		A1	
Water absorption		after 10 min:      ≤ 40 g/m <sup>2</sup> * s <sup>0,5</sup>	
Water vapour permeability		μ ≤ 15	



Airborne sound insulation	Gross dry density	310±10% kg/m <sup>3</sup>
	Shape	
Thermal resistance	Thermal transmittance	$\lambda = 0,072 \pm 0,003 \text{ W}/(\text{m} \cdot \text{K})$
Freeze/thaw durability	Do not expose to the outdoors	
Hazardous substances	NPD	

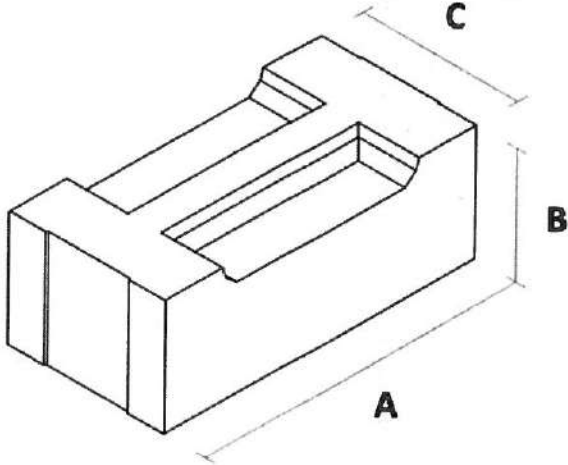
*The performance of the product identified above is in conformity with the set of declared performance characteristics. This declaration of performance is issued in accordance with Regulation (EU) No 305/2011 under the sole responsibility of the manufacturer identified above.*

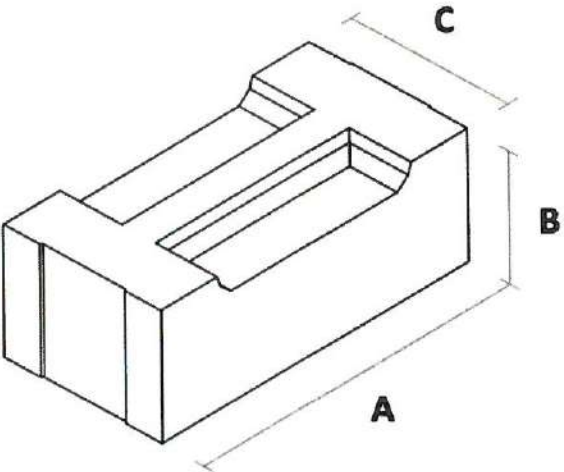
<p><i>On behalf of the manufacturer signed:</i></p> <p>in Warsaw, on 01.03.2023</p> <p><i>Place and date of issue</i></p>	<p><i>R&amp;D and Quality control manager</i></p>  <p>SYSTEM ZE S.A. ul. Ronda ONZ 1 00-101 WARSZAWA KRS: 0000887744 REGON: 142265234 NIP: 525-250-525 <i>dr Patryk Bolimowski</i> <i>Name and position, signature</i></p>
---	--



# Declaration of Performance

S3E EKO+/S0 300 WP//01/23

1. Unique identification code of the product-type:		<b>Masonry element from aggregate concrete (with lightweight aggregates) in SYSTEM 3E EKO+ technology, category I. Type: S0 300 WP</b>	
2. Intended use/es:		For masonry walls, columns and partitions	
3. Manufacturer:		<b>SYSTEM 3E S.A.</b> Rondo ONZ 1, 00-124 Warszawa	
4. System/s of AVCP:		<b>System 2+</b>	
5. Harmonised standard: Notified body/ies:		<b>EN 771-3:2011+A1:2015</b> Instytut Materiałów Budowlanych i Technologii Betonu Sp. z o.o., notification nr. 2311	
6. Declared performance/s:			
<b>Essential characteristics</b>		<b>Performance</b>	
Dimensions and deviations from dimensions	Dimensions	length (A)	704 mm
		height (B)	300 mm
		width (C)	352 mm
	Deviations	D4	
Shape	 <p style="text-align: center;">Area of recesses does not exceed 20% of the elements total volume</p>		
Compressive strength		$\geq 1,5 \text{ N/mm}^2$ Cat I	
Dimension stability		$\leq 0,30 \text{ mm/m}$	
Strength of joint	shear	NPD	
	bending	NPD	
Resistance to fire		A1	
Water absorption		after 10 min: $\leq 40 \text{ g/m}^2 * s^{0,5}$	
Water vapour permeability		$\mu \leq 15$	

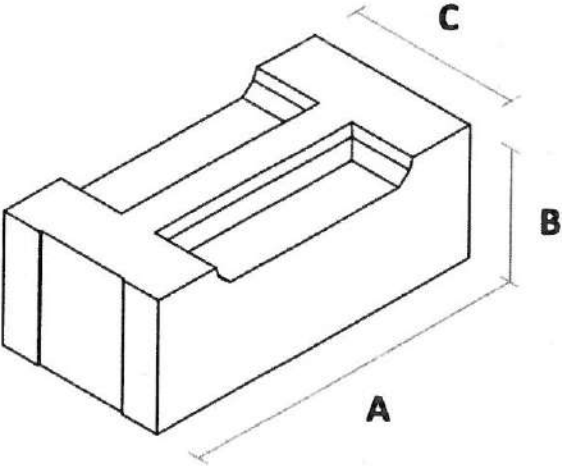
Airborne sound insulation	Gross dry density	310±10% kg/m <sup>3</sup>
	Shape	
Thermal resistance	Thermal transmittance	$\lambda = 0,072 \pm 0,003 \text{ W}/(\text{m} \cdot \text{K})$
Freeze/thaw durability	Do not expose to the outdoors	
Hazardous substances	NPD	

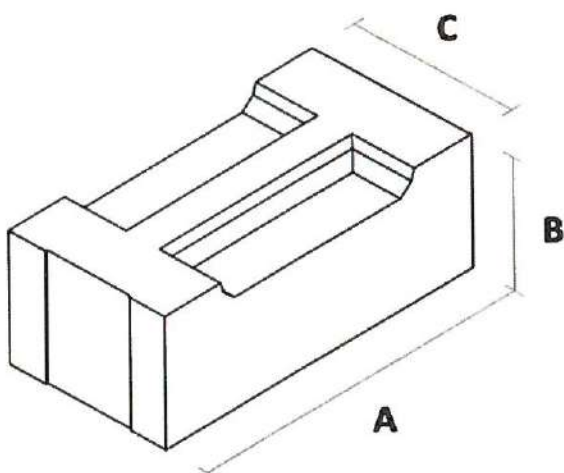
The performance of the product identified above is in conformity with the set of declared performance characteristics. This declaration of performance is issued in accordance with Regulation (EU) No 305/2011 under the sole responsibility of the manufacturer identified above.

<p>On behalf of the manufacturer signed:</p> <p>in Warsaw, on 01.03.2023</p> <p>Place and date of issue</p>	<p>R&amp;D and Quality control manager</p> <p><b>SYSTEM 3E S.A.</b></p> <p>ul. Rondo DNZ I, 00-24 Warszawa  KRS: 0000587244, REGON: 367562359  NIP: 522-309 64-36</p> <p><i>dr Patryk Bolimowski</i>  Name and position, signature</p>
---	--

# Declaration of Performance

S3E EKO+/S0 300 W/II/01/23

1. Unique identification code of the product-type:		<b>Masonry element from aggregate concrete (with lightweight aggregates) in SYSTEM 3E EKO+ technology, category I. Type: S0 300 W</b>	
2. Intended use/es:		For masonry walls, columns and partitions	
3. Manufacturer:		<b>SYSTEM 3E S.A.</b> Rondo ONZ 1, 00-124 Warszawa	
4. System/s of AVCP:		<b>System 2+</b>	
5. Harmonised standard: Notified body/ies:		<b>EN 771-3:2011+A1:2015</b> Instytut Materiałów Budowlanych i Technologii Betonu Sp. z o.o., notification nr. 2311	
6. Declared performance/s:			
<b>Essential characteristics</b>		<b>Performance</b>	
Dimensions and deviations from dimensions	Dimensions	length (A)	704 mm
		height (B)	300 mm
		width (C)	352 mm
	Deviations	D4	
Shape	 <p>Area of recesses does not exceed 20% of the elements total volume</p>		
Compressive strength		$\geq 1,5 \text{ N/mm}^2$	Cat I
Dimension stability		$\leq 0,30 \text{ mm/m}$	
Strength of joint	shear	NPD	
	bending	NPD	
Resistance to fire		A1	
Water absorption		after 10 min:	$\leq 40 \text{ g/m}^2 * s^{0,5}$
Water vapour permeability		$\mu \leq 15$	

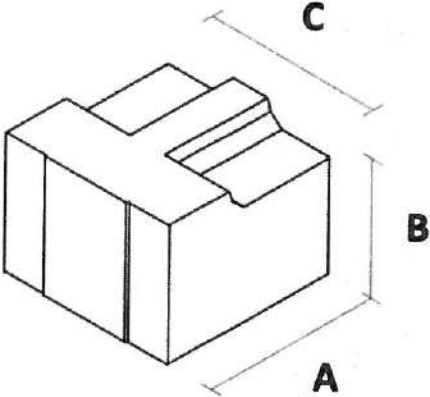
Airborne sound insulation	Gross dry density	310±10% kg/m <sup>3</sup>
	Shape	
Thermal resistance	Thermal transmittance	$\lambda = 0,072 \pm 0,003 \text{ W}/(\text{m}^2 \cdot \text{K})$
Freeze/thaw durability	Do not expose to the outdoors	
Hazardous substances	NPD	

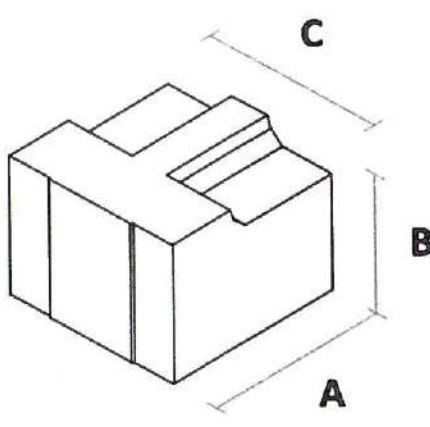
The performance of the product identified above is in conformity with the set of declared performance characteristics. This declaration of performance is issued in accordance with Regulation (EU) No 305/2011 under the sole responsibility of the manufacturer identified above.

<p>On behalf of the manufacturer signed:</p> <p>in Warsaw, on 01.03.2023</p> <p>Place and date of issue</p>	<p>R&amp;D and Quality control manager</p> <p>SYSTEM 3E S.A.          ul. Ronda ONZ 1, 00-124 Warszawa          KRS: 0000687844, REGON: 367862855          NIP: 522-000-6016</p> <p><i>dr Patryk Bolimowski</i>          Name and position, signature</p>
---	---


# Declaration of Performance

S3E EKO+/S0.2 300 P/1/01/23

1. Unique identification code of the product-type:		<b>Masonry element from aggregate concrete (with lightweight aggregates) in SYSTEM 3E EKO+ technology, category I. Type: S0/2 300 P</b>	
2. Intended use/es:		For masonry walls, columns and partitions	
3. Manufacturer:		SYSTEM 3E S.A. Rondo ONZ 1, 00-124 Warszawa	
4. System/s of AVCP:		System 2+	
5. Harmonised standard: Notified body/ies:		EN 771-3:2011+A1:2015 Instytut Materiałów Budowlanych i Technologii Betonu Sp. z o.o., notification nr. 2311	
6. Declared performance/s:			
<b>Essential characteristics</b>		<b>Performance</b>	
Dimensions and deviations from dimensions	Dimensions	length (A)	352 mm
		height (B)	300 mm
		width (C)	352 mm
	Deviations	D4	
Shape	 <p>Area of recesses does not exceed 20% of the elements total volume</p>		
Compressive strength		≥ 1,5 N/mm <sup>2</sup> Cat I	
Dimension stability		≤ 0,30 mm/m	
Strength of joint	shear	NPD	
	bending	NPD	
Resistance to fire		A1	
Water absorption		after 10 min: ≤ 40 g/m <sup>2</sup> * s <sup>0,5</sup>	
Water vapour permeability		μ ≤ 15	

Airborne sound insulation	Gross dry density	310±10% kg/m <sup>3</sup>
	Shape	
Thermal resistance	Thermal transmittance	$\lambda = 0,072 \pm 0,003 \text{ W}/(\text{m} \cdot \text{K})$
Freeze/thaw durability	Do not expose to the outdoors	
Hazardous substances	NPD	

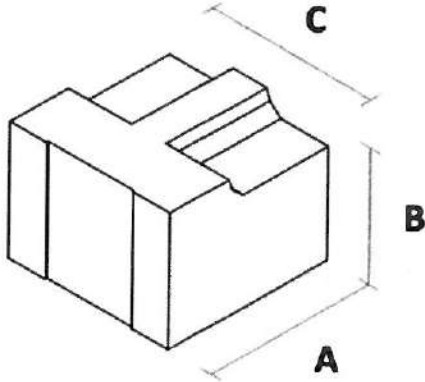
*The performance of the product identified above is in conformity with the set of declared performance characteristics. This declaration of performance is issued in accordance with Regulation (EU) No 305/2011 under the sole responsibility of the manufacturer identified above.*

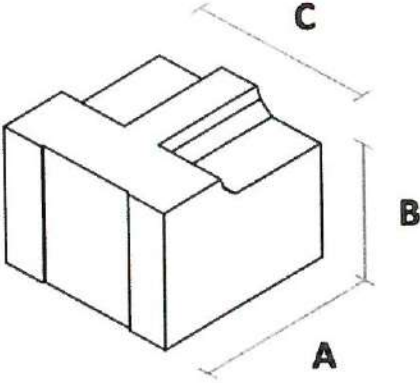
<p><i>On behalf of the manufacturer signed:</i></p> <p>in Warsaw, on 01.03.2023</p> <p><i>Place and date of issue</i></p>	<p><i>R&amp;D and Quality control manager</i></p>  <p>SYSTEM 3E S.A.  ul. Rondo G4Z 1, 03-127 Warszawa  KRS: 020066734, REGON: 146786235  NIP: dr. Patryk Bolimowski  Name and position, signature</p>
---	--



# Declaration of Performance

S3E EKO+/S0.2 300 W/1/01/23

1. <i>Unique identification code of the product-type:</i>		<b>Masonry element from aggregate concrete (with lightweight aggregates) in SYSTEM 3E EKO+ technology, category I. Type: S0/2 300W</b>	
2. <i>Intended use/es:</i>		For masonry walls, columns and partitions	
3. <i>Manufacturer:</i>		<b>SYSTEM 3E S.A.</b> Rondo ONZ 1, 00-124 Warszawa	
4. <i>System/s of AVCP:</i>		<b>System 2+</b>	
5. <i>Harmonised standard:</i> <i>Notified body/ies:</i>		<b>EN 771-3:2011+A1:2015</b> Instytut Materiałów Budowlanych i Technologii Betonu Sp. z o.o., notification nr. 2311	
6. <i>Declared performance/s:</i>			
<b>Essential characteristics</b>		<b>Performance</b>	
Dimensions and deviations from dimensions	Dimensions	length (A)	352 mm
		height (B)	300 mm
		width (C)	352 mm
	Deviations	D4	
Shape	 <p style="text-align: center;">Area of recesses does not exceed 20% of the elements total volume</p>		
Compressive strength		≥ 1,5 N/mm <sup>2</sup> Cat I	
Dimension stability		≤ 0,30 mm/m	
Strength of joint	shear	NPD	
	bending	NPD	
Resistance to fire		A1	
Water absorption		after 10 min:      ≤ 40 g/m <sup>2</sup> * s <sup>0,5</sup>	
Water vapour permeability		μ ≤ 15	

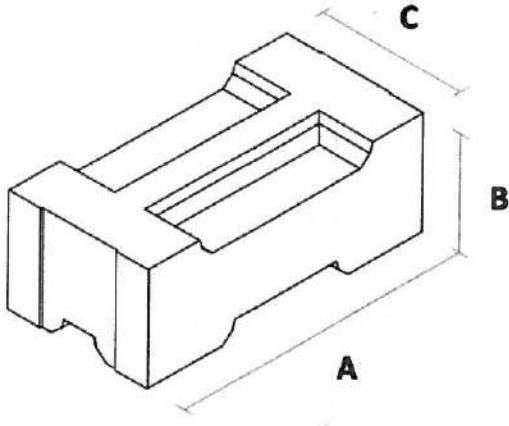
Airborne sound insulation	Gross dry density	310±10% kg/m <sup>3</sup>
	Shape	
Thermal resistance	Thermal transmittance	$\lambda = 0,072 \pm 0,003 \text{ W}/(\text{m} \cdot \text{K})$
Freeze/thaw durability	Do not expose to the outdoors	
Hazardous substances	NPD	

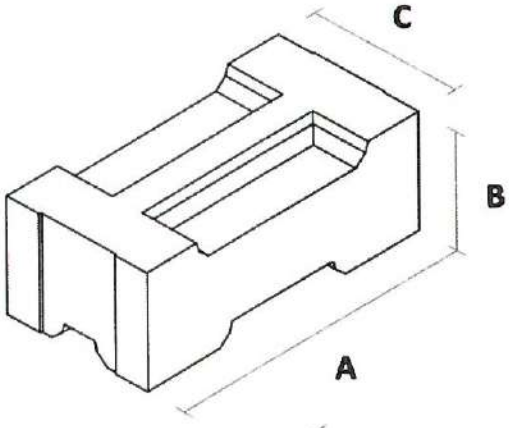
The performance of the product identified above is in conformity with the set of declared performance characteristics. This declaration of performance is issued in accordance with Regulation (EU) No 305/2011 under the sole responsibility of the manufacturer identified above.

<p>On behalf of the manufacturer signed:</p> <p>in Warsaw, on 01.03.2023</p> <p>Place and date of issue</p>	<p>R&amp;D and Quality control manager</p> <p>SYSTEM 3E S.A.</p> <p>ul. Ronda ONZ 1, 00-724 Warszawa</p> <p>KRS: 0000657349, REGON: 367862359</p> <p>NIP: 525-209-34-00</p> <p>dr Patryk Bólimowski</p> <p>Name and position, signature</p>
---	---

# Declaration of Performance

S3E EKO+/S1 WP//01/23

1. Unique identification code of the product-type:	<b>Masonry element from aggregate concrete (with lightweight aggregates) in SYSTEM 3E EKO+ technology, category I. Type: S1 WP</b>	
2. Intended use/es:	For masonry walls, columns and partitions	
3. Manufacturer:	<b>SYSTEM 3E S.A.</b> Rondo ONZ 1, 00-124 Warszawa	
4. System/s of AVCP:	<b>System 2+</b>	
5. Harmonised standard: Notified body/ies:	<b>EN 771-3:2011+A1:2015</b> Instytut Materiałów Budowlanych i Technologii Betonu Sp. z o.o., notification nr. 2311	
6. Declared performance/s:		
<b>Essential characteristics</b>		<b>Performance</b>
Dimensions and deviations from dimensions	Dimensions	length (A) 704 mm height (B) 300 mm width (C) 352 mm
	Deviations	D4
Shape	 <p>Area of recesses does not exceed 20% of the elements total volume</p>	
Compressive strength	≥ 1,5 N/mm <sup>2</sup> Cat I	
Dimension stability	≤ 0,30 mm/m	
Strength of joint	shear	NPD
	bending	NPD
Resistance to fire	A1	
Water absorption	after 10 min: ≤ 40 g/m <sup>2</sup> * s <sup>0,5</sup>	
Water vapour permeability	μ ≤ 15	

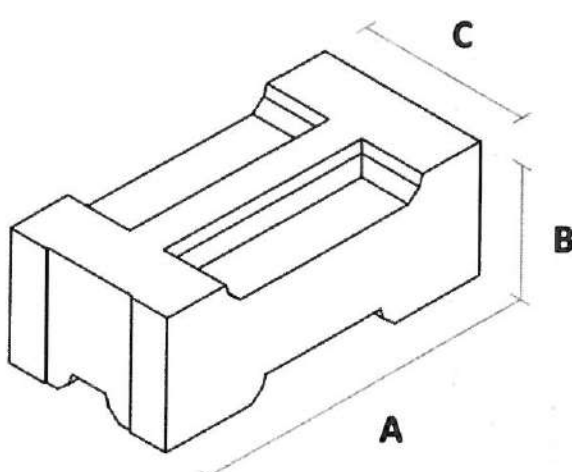
Airborne sound insulation	Gross dry density	310±10% kg/m <sup>3</sup>
	Shape	
Thermal resistance	Thermal transmittance	$\lambda = 0,072 \pm 0,003 \text{ W}/(\text{m} \cdot \text{K})$
Freeze/thaw durability	Do not expose to the outdoors	
Hazardous substances	NPD	

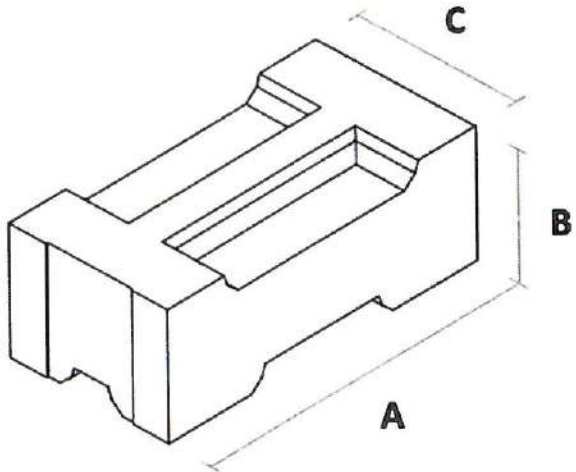
The performance of the product identified above is in conformity with the set of declared performance characteristics. This declaration of performance is issued in accordance with Regulation (EU) No 305/2011 under the sole responsibility of the manufacturer identified above.

<p>On behalf of the manufacturer signed:</p> <p>in Warsaw, on 01.03.2023</p> <p>Place and date of issue</p>	<p>R&amp;D and Quality control manager</p> <p>SYSTEM 3E S.A.</p> <p>ul. Rado 0477, 00-724 Warszawa</p> <p>KRS: 000067344, REGON: 357862355</p> <p>NIP: 524-209-544-30</p> <p>dr Patryk Bolimowski</p> <p>Name and position, signature</p>
---	---


# Declaration of Performance

S3E EKO+/S1 W/II/01/23

1. Unique identification code of the product-type:	<b>Masonry element from aggregate concrete (with lightweight aggregates) in SYSTEM 3E EKO+ technology, category I. Type: S1 W</b>		
2. Intended use/es:	For masonry walls, columns and partitions		
3. Manufacturer:	<b>SYSTEM 3E S.A.</b> Rondo ONZ 1, 00-124 Warszawa		
4. System/s of AVCP:	<b>System 2+</b>		
5. Harmonised standard: Notified body/ies:	<b>EN 771-3:2011+A1:2015</b> Instytut Materiałów Budowlanych i Technologii Betonu Sp. z o.o., notification nr. 2311		
6. Declared performance/s:			
<b>Essential characteristics</b>		<b>Performance</b>	
Dimensions and deviations from dimensions	Dimensions	length (A)	704 mm
		height (B)	300 mm
		width (C)	352 mm
	Deviations	D4	
Shape	 <p>Area of recesses does not exceed 20% of the elements total volume</p>		
Compressive strength			$\geq 1,5 \text{ N/mm}^2$ Cat I
Dimension stability			$\leq 0,30 \text{ mm/m}$
Strength of joint	shear	NPD	
	bending	NPD	
Resistance to fire			A1
Water absorption	after 10 min:	$\leq 40 \text{ g/m}^2 * s^{0,5}$	
Water vapour permeability			$\mu \leq 15$

Airborne sound insulation	Gross dry density	310±10% kg/m <sup>3</sup>
	Shape	
Thermal resistance	Thermal transmittance	$\lambda = 0,072 \pm 0,003 \text{ W}/(\text{m}^2 \cdot \text{K})$
Freeze/thaw durability	Do not expose to the outdoors	
Hazardous substances	NPD	

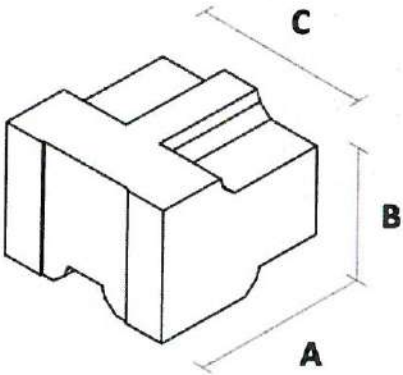
The performance of the product identified above is in conformity with the set of declared performance characteristics. This declaration of performance is issued in accordance with Regulation (EU) No 305/2011 under the sole responsibility of the manufacturer identified above.

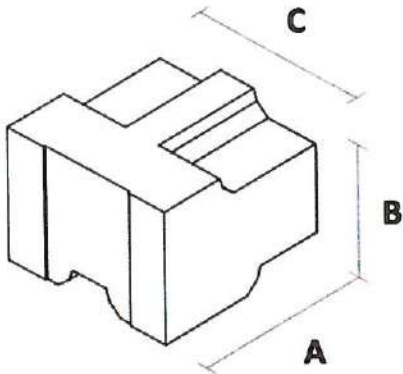
<p>On behalf of the manufacturer signed:</p> <p>in Warsaw, on 01.03.2023</p> <p>Place and date of issue</p>	<p>R&amp;D and Quality control manager</p>  <p>SYSTEM SE S.A.  ul. Rondo ONZ 1, 00-104 Warszawa  KRS: 0000687247, REGON: 145744  NIP: 522-300-03-34</p> <p>dr Patryk Bolimowski  Name and position, signature</p>
---	---




# Declaration of Performance

S3E EKO+/S1.2 W/II/01/23

1. Unique identification code of the product-type:		<b>Masonry element from aggregate concrete (with lightweight aggregates) in SYSTEM 3E EKO+ technology, category I. Type: S1/2 W</b>	
2. Intended use/es:		For masonry walls, columns and partitions	
3. Manufacturer:		SYSTEM 3E S.A. Rondo ONZ 1, 00-124 Warszawa	
4. System/s of AVCP:		System 2+	
5. Harmonised standard: Notified body/ies:		EN 771-3:2011+A1:2015 Instytut Materiałów Budowlanych i Technologii Betonu Sp. z o.o., notification nr. 2311	
6. Declared performance/s:			
<b>Essential characteristics</b>		<b>Performance</b>	
Dimensions and deviations from dimensions	Dimensions	length (A)	352 mm
		height (B)	300 mm
		width (C)	352 mm
	Deviations	D4	
Shape	 <p>Area of recesses does not exceed 20% of the elements total volume</p>		
Compressive strength		≥ 1,5 N/mm <sup>2</sup> Cat I	
Dimension stability		≤ 0,30 mm/m	
Strength of joint	shear	NPD	
	bending	NPD	
Resistance to fire		A1	
Water absorption		after 10 min: ≤ 40 g/m <sup>2</sup> * s <sup>0,5</sup>	
Water vapour permeability		μ ≤ 15	
Airborne sound insulation	Gross dry density	310±10% kg/m <sup>3</sup>	

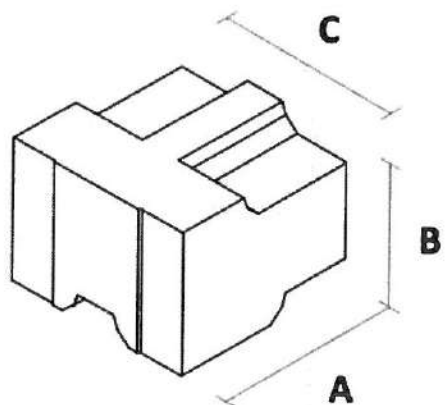
	Shape	
Thermal resistance	Thermal transmittance	$\lambda = 0,072 \pm 0,003 \text{ W}/(\text{m} \cdot \text{K})$
Freeze/thaw durability	Do not expose to the outdoors	
Hazardous substances	NPD	

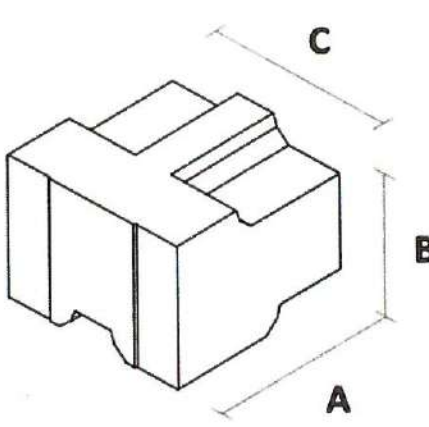
*The performance of the product identified above is in conformity with the set of declared performance characteristics. This declaration of performance is issued in accordance with Regulation (EU) No 305/2011 under the sole responsibility of the manufacturer identified above.*

<p><i>On behalf of the manufacturer signed:</i></p> <p>in Warsaw, on 01.03.2023</p> <p><i>Place and date of issue</i></p>	<p><i>R&amp;D and Quality control manager</i></p> <p>SYSTEM 3E S.A.          ul. Ronco 1/12, 01-124 Warszawa          KRS 0000667344, REGON 146728235          NIP 522-119-61-36</p>  <i>dr Patryk Bolimowski</i> <i>Name and position, signature</i>
---	--

# Declaration of Performance

S3E EKO+/S1.2 P//01/23

1. Unique identification code of the product-type:	<b>Masonry element from aggregate concrete (with lightweight aggregates) in SYSTEM 3E EKO+ technology, category I. Type: S1/2 P</b>		
2. Intended use/es:	For masonry walls, columns and partitions		
3. Manufacturer:	<b>SYSTEM 3E S.A.</b> Rondo ONZ 1, 00-124 Warszawa		
4. System/s of AVCP:	<b>System 2+</b>		
5. Harmonised standard: Notified body/ies:	<b>EN 771-3:2011+A1:2015</b> Instytut Materiałów Budowlanych i Technologii Betonu Sp. z o.o., notification nr. 2311		
6. Declared performance/s:			
<b>Essential characteristics</b>		<b>Performance</b>	
Dimensions and deviations from dimensions	Dimensions	length (A)	352 mm
		height (B)	300 mm
		width (C)	352 mm
	Deviations	D4	
Shape	 <p>Area of recesses does not exceed 20% of the elements total volume</p>		
Compressive strength	≥ 1,5 N/mm <sup>2</sup>		Cat I
Dimension stability	≤ 0,30 mm/m		
Strength of joint	shear	NPD	
	bending	NPD	
Resistance to fire	A1		
Water absorption	after 10 min:	≤ 40 g/m <sup>2</sup> * s <sup>0,5</sup>	
Water vapour permeability	μ ≤ 15		

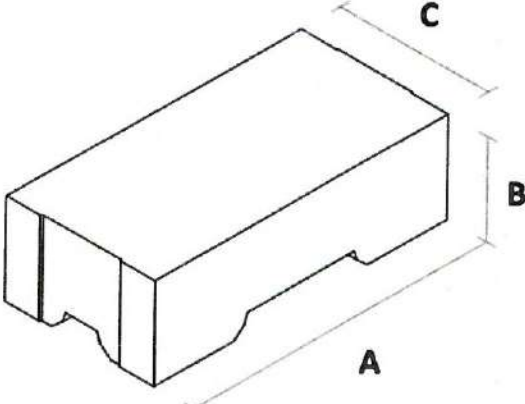
Airborne sound insulation	Gross dry density	310±10% kg/m <sup>3</sup>
	Shape	
Thermal resistance	Thermal transmittance	$\lambda = 0,072 \pm 0,003 \text{ W}/(\text{m}^2 \cdot \text{K})$
Freeze/thaw durability	Do not expose to the outdoors	
Hazardous substances	NPD	

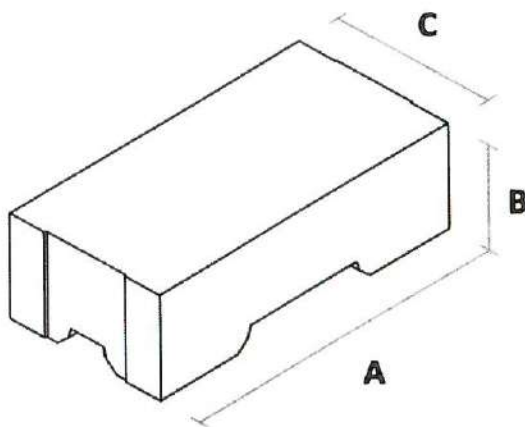
*The performance of the product identified above is in conformity with the set of declared performance characteristics. This declaration of performance is issued in accordance with Regulation (EU) No 305/2011 under the sole responsibility of the manufacturer identified above.*

<p><i>On behalf of the manufacturer signed:</i></p> <p>in Warsaw, on 01.03.2023</p> <p><i>Place and date of issue</i></p>	<p><i>R&amp;D and Quality control manager</i></p> <p>SYSTEM 3E S.A.          ul. Rondo ONZ 1, 00-124 Warszawa          KRS: 000047340, REGON: 1467862355          NIP: 5227691776</p> <p><i>dr Patryk Bolimowski</i>  <i>Name and position, signature</i></p>
---	---


# Declaration of Performance

S3E EKO+/SZ.EO WP//01/23

1. Unique identification code of the product-type:	<i>Masonry element from aggregate concrete (with lightweight aggregates) in SYSTEM 3E EKO+ technology, category I. Type: SZ/EO WP</i>		
2. Intended use/es:	For masonry walls, columns and partitions		
3. Manufacturer:	SYSTEM 3E S.A. Rondo ONZ 1, 00-124 Warszawa		
4. System/s of AVCP:	System 2+		
5. Harmonised standard: Notified body/ies:	EN 771-3:2011+A1:2015 Instytut Materiałów Budowlanych i Technologii Betonu Sp. z o.o., notification nr. 2311		
6. Declared performance/s:			
<b>Essential characteristics</b>		<b>Performance</b>	
Dimensions and deviations from dimensions	Dimensions	length (A)	704 mm
		height (B)	250 mm
		width (C)	352 mm
	Deviations	D4	
Shape	 <p style="text-align: center;">Area of recesses does not exceed 20% of the elements total volume</p>		
Compressive strength	≥ 1,5 N/mm <sup>2</sup>		Cat I
Dimension stability	≤ 0,30 mm/m		
Strength of joint	shear	NPD	
	bending	NPD	
Resistance to fire	A1		
Water absorption	after 10 min:	≤ 40 g/m <sup>2</sup> * s <sup>0,5</sup>	
Water vapour permeability	μ ≤ 15		

Airborne sound insulation	Gross dry density	310±10% kg/m <sup>3</sup>
	Shape	
Thermal resistance	Thermal transmittance	$\lambda = 0,072 \pm 0,003 \text{ W}/(\text{m} \cdot \text{K})$
Freeze/thaw durability	Do not expose to the outdoors	
Hazardous substances	NPD	

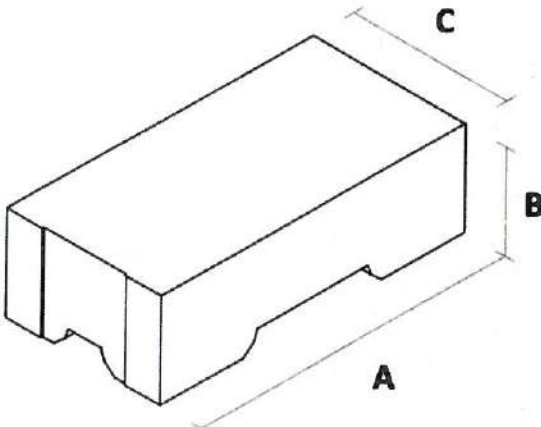
The performance of the product identified above is in conformity with the set of declared performance characteristics. This declaration of performance is issued in accordance with Regulation (EU) No 305/2011 under the sole responsibility of the manufacturer identified above.

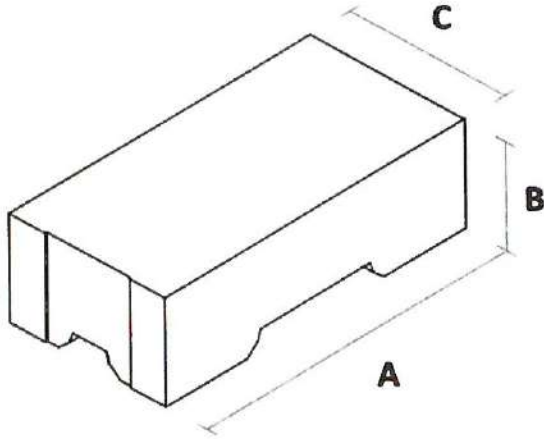
<p>On behalf of the manufacturer signed:</p> <p>in Warsaw, on 01.03.2023</p> <p>Place and date of issue</p>	<p>R&amp;D and Quality control manager</p>  <p>SYSTEM 3E S.A. ul. Pondska 102/104 Warszawa KRS: 000087344 REGON: 387832354 NIP: 720-700-730</p> <p>dr Patryk Bolimowski Name and position, signature</p>
---	--




# Declaration of Performance

S3E EKO+/SZ.EO W/1/01/23

1. Unique identification code of the product-type:		<b>Masonry element from aggregate concrete (with lightweight aggregates) in SYSTEM 3E EKO+ technology, category I. Type: SZ/EO W</b>	
2. Intended use/es:		For masonry walls, columns and partitions	
3. Manufacturer:		<b>SYSTEM 3E S.A.</b> Rondo ONZ 1, 00-124 Warszawa	
4. System/s of AVCP:		<b>System 2+</b>	
5. Harmonised standard: Notified body/ies:		<b>EN 771-3:2011+A1:2015</b> Instytut Materiałów Budowlanych i Technologii Betonu Sp. z o.o., notification nr. 2311	
6. Declared performance/s:			
<b>Essential characteristics</b>		<b>Performance</b>	
Dimensions and deviations from dimensions	Dimensions	length (A)	704 mm
		height (B)	250 mm
		width (C)	352 mm
	Deviations	D4	
Shape	 <p>Area of recesses does not exceed 20% of the elements total volume</p>		
Compressive strength		$\geq 1,5 \text{ N/mm}^2$	Cat I
Dimension stability		$\leq 0,30 \text{ mm/m}$	
Strength of joint	shear	NPD	
	bending	NPD	
Resistance to fire		A1	
Water absorption		after 10 min:	$\leq 40 \text{ g/m}^2 * s^{0,5}$
Water vapour permeability		$\mu \leq 15$	

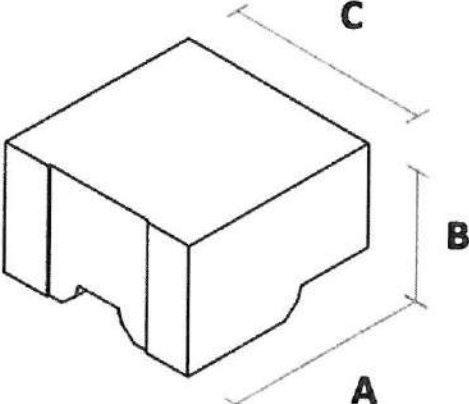
Airborne sound insulation	Gross dry density	310±10% kg/m <sup>3</sup>
	Shape	
Thermal resistance	Thermal transmittance	$\lambda = 0,072 \pm 0,003 \text{ W}/(\text{m}^2 \cdot \text{K})$
Freeze/thaw durability	Do not expose to the outdoors	
Hazardous substances	NPD	

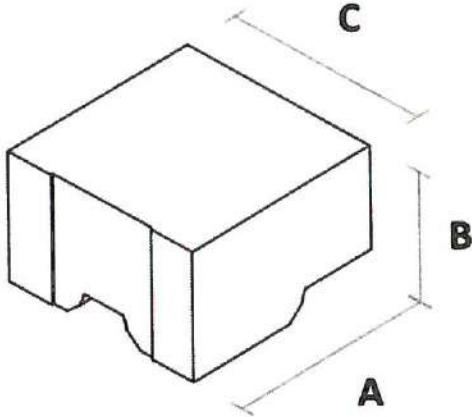
The performance of the product identified above is in conformity with the set of declared performance characteristics. This declaration of performance is issued in accordance with Regulation (EU) No 305/2011 under the sole responsibility of the manufacturer identified above.

<p>On behalf of the manufacturer signed:</p> <p>in Warsaw, on 01.03.2023</p> <p>Place and date of issue</p>	<p>R&amp;D and Quality control manager</p> <p>SYSTEM 3E S.A.</p> <p>ul. Rolnicza ONZ 1, 00-124 Warszawa</p> <p>KRS: 0000687344, REGON: 146768235F</p> <p>NIP: 525-339-641/6</p> <p>dr Patryk Bolimowski</p> <p>Name and position, signature</p> 
---	--

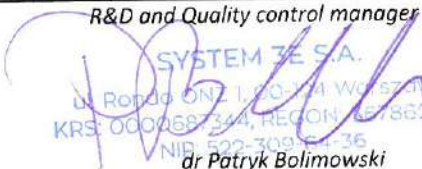
# Declaration of Performance

S3E EKO+/SZ.2 W/II/01/23

1. Unique identification code of the product-type:	<b>Masonry element from aggregate concrete (with lightweight aggregates) in SYSTEM 3E EKO+ technology, category I. Type: SZ/2 W</b>		
2. Intended use/es:	For masonry walls, columns and partitions		
3. Manufacturer:	SYSTEM 3E S.A. Rondo ONZ 1, 00-124 Warszawa		
4. System/s of AVCP:	System 2+		
5. Harmonised standard: Notified body/ies:	EN 771-3:2011+A1:2015 Instytut Materiałów Budowlanych i Technologii Betonu Sp. z o.o., notification nr. 2311		
6. Declared performance/s:			
<b>Essential characteristics</b>		<b>Performance</b>	
Dimensions and deviations from dimensions	Dimensions	length (A)	352 mm
		height (B)	250 mm
		width (C)	352 mm
	Deviations	D4	
Shape	 <p>Area of recesses does not exceed 20% of the elements total volume</p>		
Compressive strength	≥ 1,5 N/mm <sup>2</sup>		Cat I
Dimension stability	≤ 0,30 mm/m		
Strength of joint	shear	NPD	
	bending	NPD	
Resistance to fire	A1		
Water absorption	after 10 min:	≤ 40 g/m <sup>2</sup> * s <sup>0,5</sup>	
Water vapour permeability	μ ≤ 15		

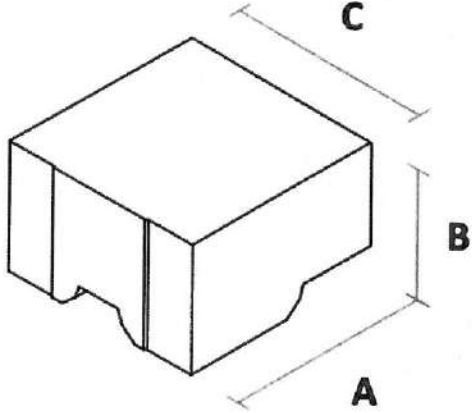
Airborne sound insulation	Gross dry density	310±10% kg/m <sup>3</sup>
	Shape	
Thermal resistance	Thermal transmittance	$\lambda = 0,072 \pm 0,003 \text{ W}/(\text{m}^2 \cdot \text{K})$
Freeze/thaw durability	Do not expose to the outdoors	
Hazardous substances	NPD	

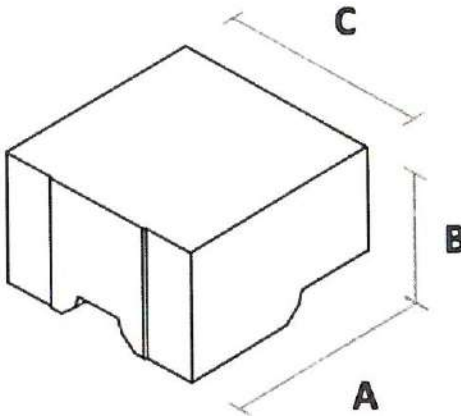
The performance of the product identified above is in conformity with the set of declared performance characteristics. This declaration of performance is issued in accordance with Regulation (EU) No 305/2011 under the sole responsibility of the manufacturer identified above.

<p>On behalf of the manufacturer signed:</p> <p>in Warsaw, on 01.03.2023</p> <p>Place and date of issue</p>	<p>R&amp;D and Quality control manager</p>  <p>SYSTEM ZE S.A.</p> <p>ul. Rodła 60/1, 00-141 Warszawa</p> <p>KRS: 0000687344, REGON: 1457862355</p> <p>NIP: 522-309114-36</p> <p>dr Patryk Bolimowski</p> <p>Name and position, signature</p>
---	--

# Declaration of Performance

S3E EKO+/SZ.2 P/I/01/23

1. Unique identification code of the product-type:		<b>Masonry element from aggregate concrete (with lightweight aggregates) in SYSTEM 3E EKO+ technology, category I. Type: SZ/2 P</b>	
2. Intended use/es:		For masonry walls, columns and partitions	
3. Manufacturer:		<b>SYSTEM 3E S.A.</b> Rondo ONZ 1, 00-124 Warszawa	
4. System/s of AVCP:		<b>System 2+</b>	
5. Harmonised standard: Notified body/ies:		<b>EN 771-3:2011+A1:2015</b> Instytut Materiałów Budowlanych i Technologii Betonu Sp. z o.o., notification nr. 2311	
6. Declared performance/s:			
<b>Essential characteristics</b>		<b>Performance</b>	
Dimensions and deviations from dimensions	Dimensions	length (A)	352 mm
		height (B)	250 mm
		width (C)	352 mm
	Deviations	D4	
Shape		 <p>Area of recesses does not exceed 20% of the elements total volume</p>	
Compressive strength		≥ 1,5 N/mm <sup>2</sup> Cat I	
Dimension stability		≤ 0,30 mm/m	
Strength of joint	shear	NPD	
	bending	NPD	
Resistance to fire		A1	
Water absorption		after 10 min:      ≤ 40 g/m <sup>2</sup> * s <sup>0,5</sup>	
Water vapour permeability		μ ≤ 15	

Airborne sound insulation	Gross dry density	310±10% kg/m <sup>3</sup>
	Shape	
Thermal resistance	Thermal transmittance	$\lambda = 0,072 \pm 0,003 \text{ W}/(\text{m} \cdot \text{K})$
Freeze/thaw durability	Do not expose to the outdoors	
Hazardous substances	NPD	

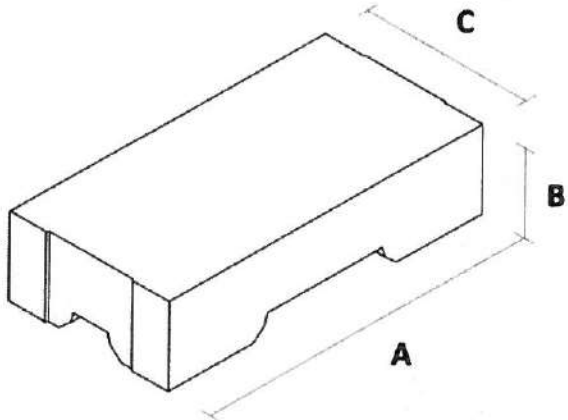
The performance of the product identified above is in conformity with the set of declared performance characteristics. This declaration of performance is issued in accordance with Regulation (EU) No 305/2011 under the sole responsibility of the manufacturer identified above.

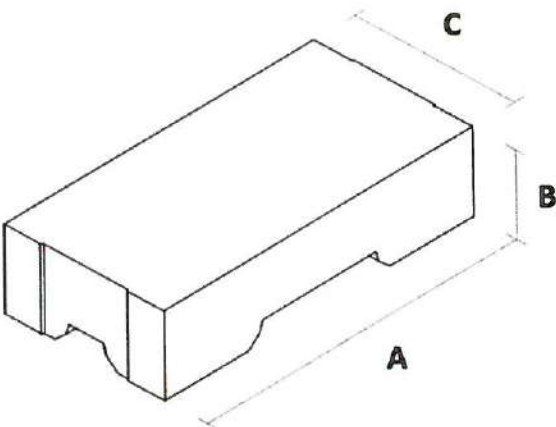
<p>On behalf of the manufacturer signed:</p> <p>in Warsaw, on 01.03.2023</p> <p>Place and date of issue</p>	<p>R&amp;D and Quality control manager</p> <p>SYSTEM 3E S.A.</p> <p>ul. Rofka 20/21, 01-121 Warszawa</p> <p>KRS: 0000687344 REGON: 146786235F</p> <p>NIP: 522-309-64-36</p> <p><i>dr Patryk Bolimowski</i></p> <p>Name and position, signature</p>
---	--



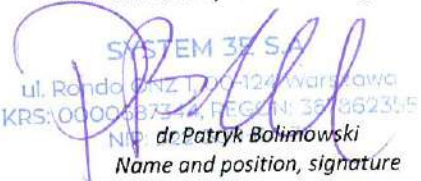
# Declaration of Performance

S3E EKO+/SZ.EO 200 WP//01/23

1. Unique identification code of the product-type:		<b>Masonry element from aggregate concrete (with lightweight aggregates) in SYSTEM 3E EKO+ technology, category I. Type: SZ/EO 200 WP</b>	
2. Intended use/es:		For masonry walls, columns and partitions	
3. Manufacturer:		<b>SYSTEM 3E S.A.</b> Rondo ONZ 1, 00-124 Warszawa	
4. System/s of AVCP:		<b>System 2+</b>	
5. Harmonised standard: Notified body/ies:		<b>EN 771-3:2011+A1:2015</b> Instytut Materiałów Budowlanych i Technologii Betonu Sp. z o.o., notification nr. 2311	
6. Declared performance/s:			
<b>Essential characteristics</b>		<b>Performance</b>	
Dimensions and deviations from dimensions	Dimensions	length (A)	704 mm
		height (B)	200 mm
		width (C)	352 mm
	Deviations	D4	
Shape	 <p>Area of recesses does not exceed 20% of the elements total volume</p>		
Compressive strength		$\geq 1,5 \text{ N/mm}^2$	Cat I
Dimension stability		$\leq 0,30 \text{ mm/m}$	
Strength of joint	shear	NPD	
	bending	NPD	
Resistance to fire		A1	
Water absorption		after 10 min:	$\leq 40 \text{ g/m}^2 * s^{0,5}$
Water vapour permeability		$\mu \leq 15$	

Airborne sound insulation	Gross dry density	310±10% kg/m <sup>3</sup>
	Shape	
Thermal resistance	Thermal transmittance	$\lambda = 0,072 \pm 0,003 \text{ W}/(\text{m} \cdot \text{K})$
Freeze/thaw durability	Do not expose to the outdoors	
Hazardous substances	NPD	

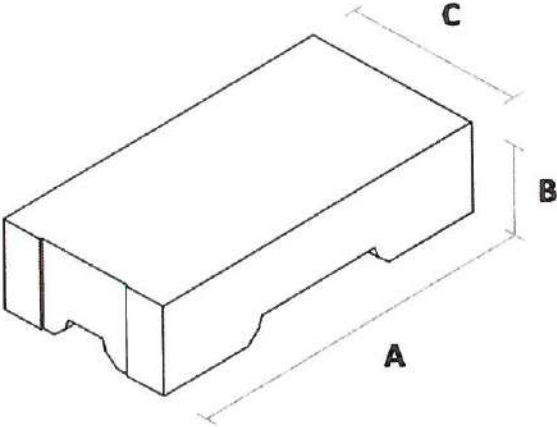
The performance of the product identified above is in conformity with the set of declared performance characteristics. This declaration of performance is issued in accordance with Regulation (EU) No 305/2011 under the sole responsibility of the manufacturer identified above.

<p>On behalf of the manufacturer signed:</p> <p>in Warsaw, on 01.03.2023</p> <p>Place and date of issue</p>	<p>R&amp;D and Quality control manager</p>  <p>SYSTEM 35 S.A. ul. Ronda ONZ 10/12 Warszawa KRS: 0000587344, REGON: 351862355 NIP: dr. Patryk Bohimowski Name and position, signature</p>
---	--

# Declaration of Performance

S3E EKO+/SZ.EO 200 W/1/01/23

1. Unique identification code of the product-type:	<i>Masonry element from aggregate concrete (with lightweight aggregates) in SYSTEM 3E EKO+ technology, category I. Type: SZ/EO 200 W</i>		
2. Intended use/es:	For masonry walls, columns and partitions		
3. Manufacturer:	SYSTEM 3E S.A. Rondo ONZ 1, 00-124 Warszawa		
4. System/s of AVCP:	System 2+		
5. Harmonised standard: Notified body/ies:	EN 771-3:2011+A1:2015 Instytut Materiałów Budowlanych i Technologii Betonu Sp. z o.o., notification nr. 2311		
6. Declared performance/s:			
<b>Essential characteristics</b>		<b>Performance</b>	
Dimensions and deviations from dimensions	Dimensions	length (A)	704 mm
		height (B)	200 mm
		width (C)	352 mm
	Deviations	D4	
Shape	<p style="text-align: center;">Area of recesses does not exceed 20% of the elements total volume</p>		
Compressive strength	≥ 1,5 N/mm <sup>2</sup>		Cat I
Dimension stability	≤ 0,30 mm/m		
Strength of joint	shear	NPD	
	bending	NPD	
Resistance to fire	A1		
Water absorption	after 10 min:	≤ 40 g/m <sup>2</sup> * s <sup>0,5</sup>	
Water vapour permeability	μ ≤ 15		

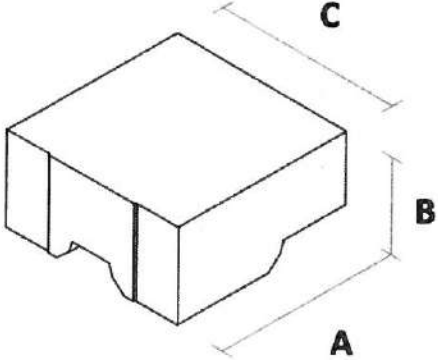
Airborne sound insulation	Gross dry density	310±10% kg/m <sup>3</sup>
	Shape	
Thermal resistance	Thermal transmittance	$\lambda = 0,072 \pm 0,003 \text{ W}/(\text{m}^2 \cdot \text{K})$
Freeze/thaw durability	Do not expose to the outdoors	
Hazardous substances	NPD	

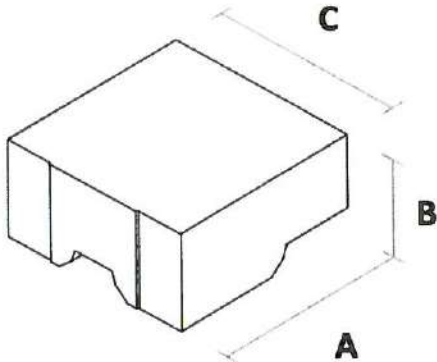
The performance of the product identified above is in conformity with the set of declared performance characteristics. This declaration of performance is issued in accordance with Regulation (EU) No 305/2011 under the sole responsibility of the manufacturer identified above.

<p>On behalf of the manufacturer signed:</p> <p>in Warsaw, on 01.03.2023</p> <p>Place and date of issue</p>	<p>R&amp;D and Quality control manager</p> <p>SYSTEM 3E S.A.</p> <p>ul. Rondo Orląt 60/24 Warszawa</p> <p>KRS: 000063764, REGON: 367562755</p> <p>NIP: 522 305 65 76</p> <p><i>dr Patryk Bolimowski</i></p> <p>Name and position, signature</p>
---	---

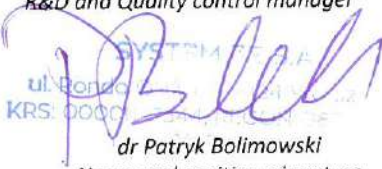
# Declaration of Performance

S3E EKO+/SZ.2 200 P/II/01/23

1. Unique identification code of the product-type:		<b>Masonry element from aggregate concrete (with lightweight aggregates) in SYSTEM 3E EKO+ technology, category I. Type: SZ/2 200 P</b>	
2. Intended use/es:		For masonry walls, columns and partitions	
3. Manufacturer:		<b>SYSTEM 3E S.A.</b> Rondo ONZ 1, 00-124 Warszawa	
4. System/s of AVCP:		<b>System 2+</b>	
5. Harmonised standard: Notified body/ies:		<b>EN 771-3:2011+A1:2015</b> Instytut Materiałów Budowlanych i Technologii Betonu Sp. z o.o., notification nr. 2311	
6. Declared performance/s:			
<b>Essential characteristics</b>		<b>Performance</b>	
Dimensions and deviations from dimensions	Dimensions	length (A)	352 mm
		height (B)	200 mm
		width (C)	352 mm
	Deviations	D4	
Shape	 <p style="text-align: center;">Area of recesses does not exceed 20% of the elements total volume</p>		
Compressive strength		$\geq 1,5 \text{ N/mm}^2$ Cat I	
Dimension stability		$\leq 0,30 \text{ mm/m}$	
Strength of joint	shear	NPD	
	bending	NPD	
Resistance to fire		A1	
Water absorption		after 10 min: $\leq 40 \text{ g/m}^2 * s^{0,5}$	
Water vapour permeability		$\mu \leq 15$	

Airborne sound insulation	Gross dry density	310±10% kg/m <sup>3</sup>
	Shape	
Thermal resistance	Thermal transmittance	$\lambda = 0,072 \pm 0,003 \text{ W}/(\text{m} \cdot \text{K})$
Freeze/thaw durability	Do not expose to the outdoors	
Hazardous substances	NPD	

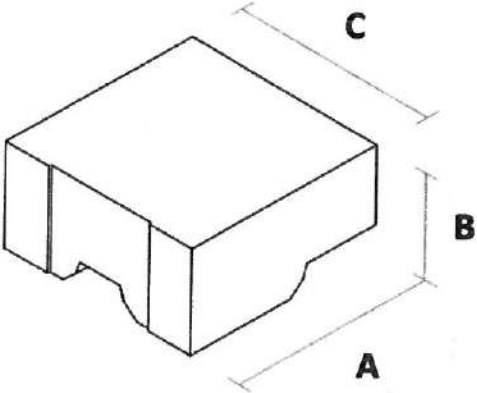
The performance of the product identified above is in conformity with the set of declared performance characteristics. This declaration of performance is issued in accordance with Regulation (EU) No 305/2011 under the sole responsibility of the manufacturer identified above.

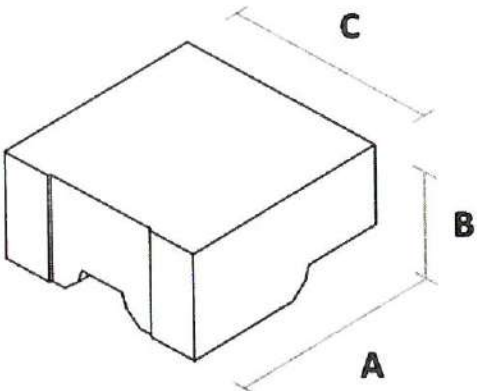
<p>On behalf of the manufacturer signed:</p> <p>in Warsaw, on 01.03.2023</p> <p>Place and date of issue</p>	<p>R&amp;D and Quality control manager</p>  <p>ul. Gorko KRS: 0000</p> <p>dr Patryk Bolimowski Name and position, signature</p>
---	---



# Declaration of Performance

S3E EKO+/SZ.2 200 W/I/01/23

1. Unique identification code of the product-type:		Masonry element from aggregate concrete (with lightweight aggregates) in SYSTEM 3E EKO+ technology, category I. Type: SZ/2 200 W	
2. Intended use/es:		For masonry walls, columns and partitions	
3. Manufacturer:		SYSTEM 3E S.A. Rondo ONZ 1, 00-124 Warszawa	
4. System/s of AVCP:		System 2+	
5. Harmonised standard: Notified body/ies:		EN 771-3:2011+A1:2015 Instytut Materiałów Budowlanych i Technologii Betonu Sp. z o.o., notification nr. 2311	
6. Declared performance/s:			
<b>Essential characteristics</b>		<b>Performance</b>	
Dimensions and deviations from dimensions	Dimensions	length (A)	352 mm
		height (B)	200 mm
	Deviations	width (C)	352 mm
Shape		D4	
		 <p style="text-align: center;">Area of recesses does not exceed 20% of the elements total volume</p>	
Compressive strength		≥ 1,5 N/mm <sup>2</sup> Cat I	
Dimension stability		≤ 0,30 mm/m	
Strength of joint	shear	NPD	
	bending	NPD	
Resistance to fire		A1	
Water absorption		after 10 min:      ≤ 40 g/m <sup>2</sup> * s <sup>0,5</sup>	
Water vapour permeability		μ ≤ 15	

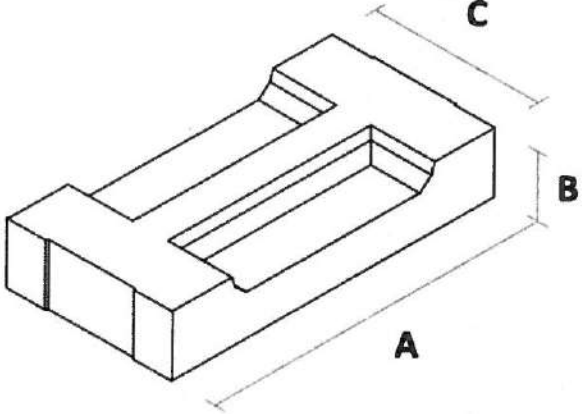
Airborne sound insulation	Gross dry density	310±10% kg/m <sup>3</sup>
	Shape	
Thermal resistance	Thermal transmittance	$\lambda = 0,072 \pm 0,003 \text{ W}/(\text{m} \cdot \text{K})$
Freeze/thaw durability	Do not expose to the outdoors	
Hazardous substances	NPD	

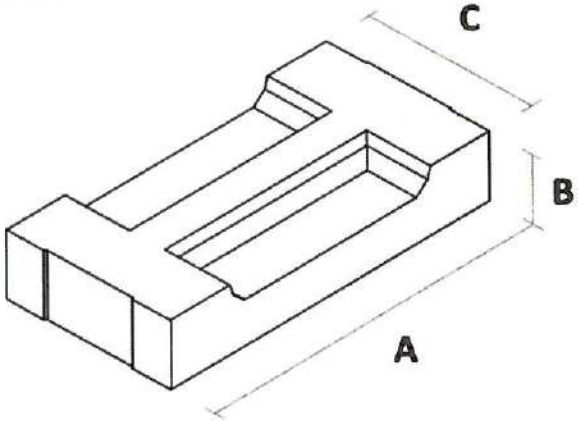
The performance of the product identified above is in conformity with the set of declared performance characteristics. This declaration of performance is issued in accordance with Regulation (EU) No 305/2011 under the sole responsibility of the manufacturer identified above.

<p>On behalf of the manufacturer signed:</p> <p>in Warsaw, on 01.03.2023</p> <p>Place and date of issue</p>	<p>R&amp;D and Quality control manager</p> <p>SYSTEM ZE S.A.</p> <p>ul. Rondo ONZ 1, 00-124 Warszawa</p> <p>KRS 0000657341 REGON 147862355</p> <p>NIP 522-309-64-36</p> <p>dr Patryk Bolimowski</p> <p>Name and position, signature</p>
---	---

# Declaration of Performance

S3E EKO+/EN WP/II/01/23

1. Unique identification code of the product-type:	<b>Masonry element from aggregate concrete (with lightweight aggregates) in SYSTEM 3E EKO+ technology, category I. Type: EN WP</b>		
2. Intended use/es:	For masonry walls, columns and partitions		
3. Manufacturer:	<b>SYSTEM 3E S.A.</b> Rondo ONZ 1, 00-124 Warszawa		
4. System/s of AVCP:	<b>System 2+</b>		
5. Harmonised standard: Notified body/ies:	<b>EN 771-3:2011+A1:2015</b> Instytut Materiałów Budowlanych i Technologii Betonu Sp. z o.o., notification nr. 2311		
6. Declared performance/s:			
<b>Essential characteristics</b>		<b>Performance</b>	
Dimensions and deviations from dimensions	Dimensions	length (A)	704 mm
		height (B)	170 mm
		width (C)	352 mm
	Deviations	D4	
Shape	 <p>Area of recesses does not exceed 20% of the elements total volume</p>		
Compressive strength	≥ 1,5 N/mm <sup>2</sup>		Cat I
Dimension stability	≤ 0,30 mm/m		
Strength of joint	shear	NPD	
	bending	NPD	
Resistance to fire	A1		
Water absorption	after 10 min:	≤ 40 g/m <sup>2</sup> * s <sup>0,5</sup>	
Water vapour permeability	μ ≤ 15		

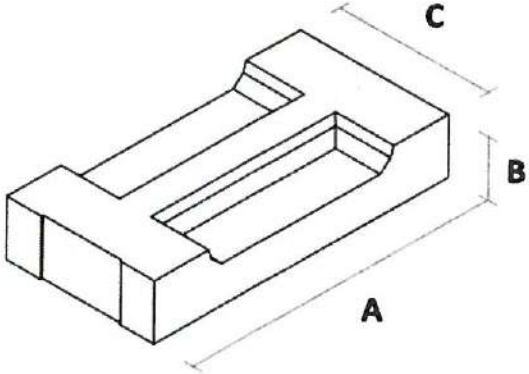
Airborne sound insulation	Gross dry density	310±10% kg/m <sup>3</sup>
	Shape	
Thermal resistance	Thermal transmittance	$\lambda = 0,072 \pm 0,003 \text{ W}/(\text{m}^2 \cdot \text{K})$
Freeze/thaw durability	Do not expose to the outdoors	
Hazardous substances	NPD	

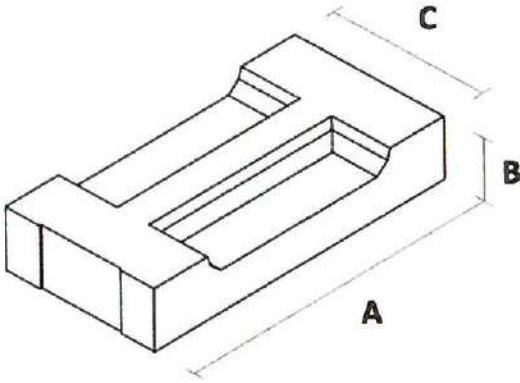
The performance of the product identified above is in conformity with the set of declared performance characteristics. This declaration of performance is issued in accordance with Regulation (EU) No 305/2011 under the sole responsibility of the manufacturer identified above.

<p>On behalf of the manufacturer signed:</p> <p>in Warsaw, on 01.03.2023</p> <p>Place and date of issue</p>	<p>R&amp;D and Quality control manager</p> <p>SYSTEM 3E S.A.  ul. Rondo 012 1-01 124 Warszawa  KRS: 000067344 REGON: 1457862355  NIP: 520-309-64-36</p> <p><i>dr Patryk Bolimowski</i>  Name and position, signature</p>
---	--

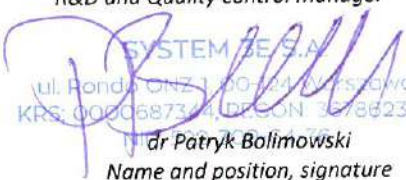
# Declaration of Performance

S3E EKO+/EN W/01/23

1. Unique identification code of the product-type:	<b>Masonry element from aggregate concrete (with lightweight aggregates) in SYSTEM 3E EKO+ technology, category I. Type: EN W</b>		
2. Intended use/es:	For masonry walls, columns and partitions		
3. Manufacturer:	<b>SYSTEM 3E S.A.</b> Rondo ONZ 1, 00-124 Warszawa		
4. System/s of AVCP:	<b>System 2+</b>		
5. Harmonised standard: Notified body/ies:	<b>EN 771-3:2011+A1:2015</b> Instytut Materiałów Budowlanych i Technologii Betonu Sp. z o.o., notification nr. 2311		
6. Declared performance/s:			
<b>Essential characteristics</b>		<b>Performance</b>	
Dimensions and deviations from dimensions	Dimensions	length (A)	704 mm
		height (B)	170 mm
		width (C)	352 mm
	Deviations	D4	
Shape	 <p>Area of recesses does not exceed 20% of the elements total volume</p>		
Compressive strength	≥ 1,5 N/mm <sup>2</sup>		Cat I
Dimension stability	≤ 0,30 mm/m		
Strength of joint	shear	NPD	
	bending	NPD	
Resistance to fire	A1		
Water absorption	after 10 min:	≤ 40 g/m <sup>2</sup> * s <sup>0,5</sup>	
Water vapour permeability	μ ≤ 15		

Airborne sound insulation	Gross dry density	310±10% kg/m <sup>3</sup>
	Shape	
Thermal resistance	Thermal transmittance	$\lambda = 0,072 \pm 0,003 \text{ W}/(\text{m} \cdot \text{K})$
Freeze/thaw durability	Do not expose to the outdoors	
Hazardous substances	NPD	

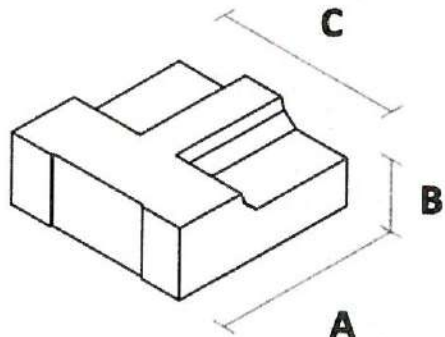
The performance of the product identified above is in conformity with the set of declared performance characteristics. This declaration of performance is issued in accordance with Regulation (EU) No 305/2011 under the sole responsibility of the manufacturer identified above.

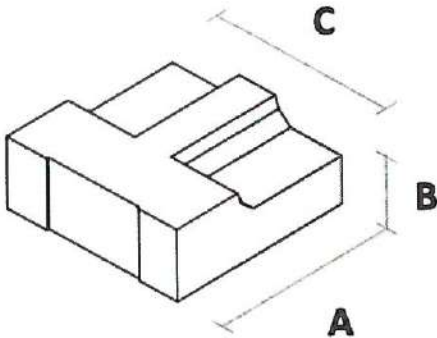
<p>On behalf of the manufacturer signed:</p> <p>in Warsaw, on 01.03.2023</p> <p>Place and date of issue</p>	<p>R&amp;D and Quality control manager</p>  <p>SYSTEM BE S.A. ul. Pondska 1, 00-124 Warszawa KRS: 0000687344, REGON: 357862355 dr Patryk Bolimowski Name and position, signature</p>
---	--



# Declaration of Performance

S3E EKO+/EN.2 W/01/23

1. Unique identification code of the product-type:	<b>Masonry element from aggregate concrete (with lightweight aggregates) in SYSTEM 3E EKO+ technology, category I. Type: EN/2 W</b>		
2. Intended use/es:	For masonry walls, columns and partitions		
3. Manufacturer:	<b>SYSTEM 3E S.A.</b> Rondo ONZ 1, 00-124 Warszawa		
4. System/s of AVCP:	<b>System 2+</b>		
5. Harmonised standard: Notified body/ies:	<b>EN 771-3:2011+A1:2015</b> Instytut Materiałów Budowlanych i Technologii Betonu Sp. z o.o., notification nr. 2311		
6. Declared performance/s:			
<b>Essential characteristics</b>		<b>Performance</b>	
Dimensions and deviations from dimensions	Dimensions	length (A)	352 mm
		height (B)	200 mm
		width (C)	352 mm
	Deviations	D4	
Shape	 <p>Area of recesses does not exceed 20% of the elements total volume</p>		
Compressive strength	≥ 1,5 N/mm <sup>2</sup>		Cat I
Dimension stability	≤ 0,30 mm/m		
Strength of joint	shear	NPD	
	bending	NPD	
Resistance to fire	A1		
Water absorption	after 10 min:	≤ 40 g/m <sup>2</sup> * s <sup>0,5</sup>	
Water vapour permeability	μ ≤ 15		

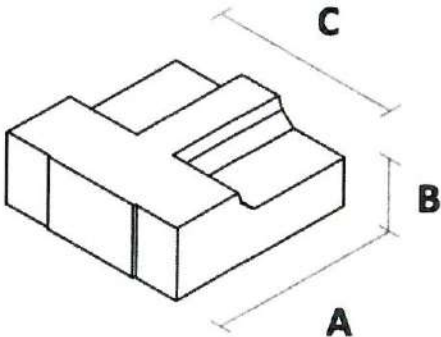
Airborne sound insulation	Gross dry density	310±10% kg/m <sup>3</sup>
	Shape	
Thermal resistance	Thermal transmittance	$\lambda = 0,072 \pm 0,003 \text{ W}/(\text{m} \cdot \text{K})$
Freeze/thaw durability	Do not expose to the outdoors	
Hazardous substances	NPD	

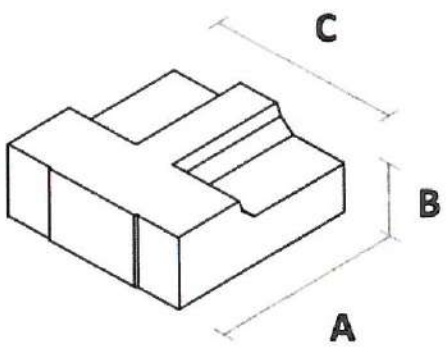
The performance of the product identified above is in conformity with the set of declared performance characteristics. This declaration of performance is issued in accordance with Regulation (EU) No 305/2011 under the sole responsibility of the manufacturer identified above.

<p>On behalf of the manufacturer signed:</p> <p>in Warsaw, on 01.03.2023</p> <p>Place and date of issue</p>	<p>R&amp;D and Quality control manager</p> <p>SYSTEM 3E S.A.</p> <p>ul. Pondo 5N21 00-124 Warszawa</p> <p>KRS: 0000587341 REGON: 145788235E</p> <p>NIP: 522-509-64-36</p> <p>dr Patryk Bolimowski</p> <p>Name and position, signature</p>
---	---


# Declaration of Performance

S3E EKO+/EN.2 P/1/01/23

1. <i>Unique identification code of the product-type:</i>		<b>Masonry element from aggregate concrete (with lightweight aggregates) in SYSTEM 3E EKO+ technology, category I. Type: EN/2 P</b>	
2. <i>Intended use/es:</i>		For masonry walls, columns and partitions	
3. <i>Manufacturer:</i>		<b>SYSTEM 3E S.A.</b> Rondo ONZ 1, 00-124 Warszawa	
4. <i>System/s of AVCP:</i>		<b>System 2+</b>	
5. <i>Harmonised standard:</i> <i>Notified body/ies:</i>		<b>EN 771-3:2011+A1:2015</b> Instytut Materiałów Budowlanych i Technologii Betonu Sp. z o.o., notification nr. 2311	
6. <i>Declared performance/s:</i>			
<b>Essential characteristics</b>		<b>Performance</b>	
Dimensions and deviations from dimensions	Dimensions	length (A)	352 mm
		height (B)	200 mm
		width (C)	352 mm
	Deviations	D4	
Shape		 <p>Area of recesses does not exceed 20% of the elements total volume</p>	
Compressive strength		$\geq 1,5 \text{ N/mm}^2$ Cat I	
Dimension stability		$\leq 0,30 \text{ mm/m}$	
Strength of joint	shear	NPD	
	bending	NPD	
Resistance to fire		A1	
Water absorption		after 10 min: $\leq 40 \text{ g/m}^2 \cdot \text{s}^{0,5}$	
Water vapour permeability		$\mu \leq 15$	
Airborne sound insulation	Gross dry density	$310 \pm 10\% \text{ kg/m}^3$	

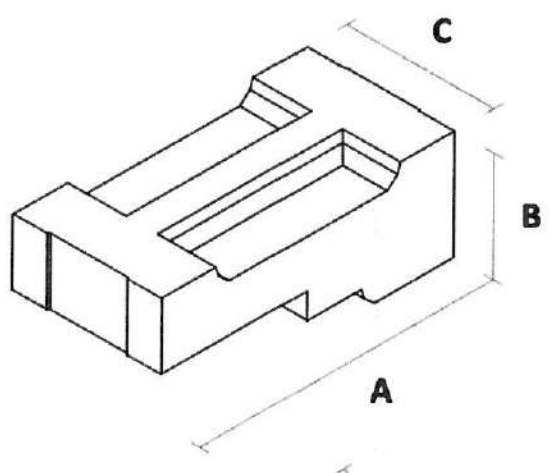
	Shape	
Thermal resistance	Thermal transmittance	$\lambda = 0,072 \pm 0,003 \text{ W}/(\text{m} \cdot \text{K})$
Freeze/thaw durability	Do not expose to the outdoors	
Hazardous substances	NPD	

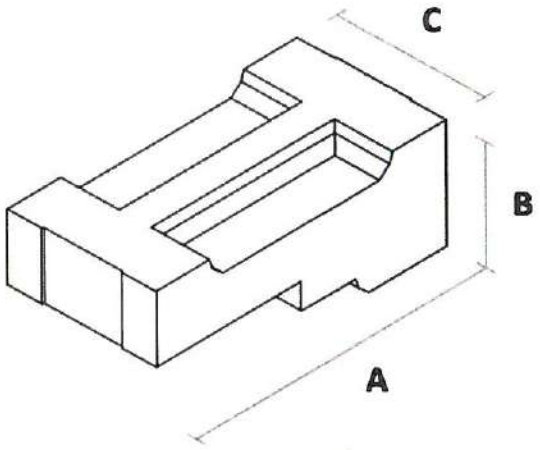
The performance of the product identified above is in conformity with the set of declared performance characteristics. This declaration of performance is issued in accordance with Regulation (EU) No 305/2011 under the sole responsibility of the manufacturer identified above.

<p>On behalf of the manufacturer signed:</p> <p>in Warsaw, on 01.03.2023</p> <p>Place and date of issue</p>	<p>R&amp;D and Quality control manager</p>  <p>SYSTEM 36 SA          ul. Kondr 2021, 01-134 Warszawa          KRS: 000068734, REGON: 1467862355          dr Patryk Bolimowski          Name and position, signature</p>
---	--

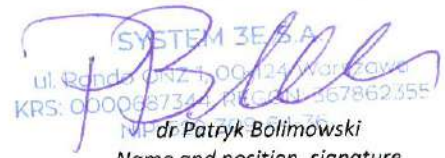
# Declaration of Performance

S3E EKO+/EPN WPP/II/01/23

1. <i>Unique identification code of the product-type:</i>		<b>Masonry element from aggregate concrete (with lightweight aggregates) in SYSTEM 3E EKO+ technology, category I. Type: EPN WPP</b>	
2. <i>Intended use/es:</i>		For masonry walls, columns and partitions	
3. <i>Manufacturer:</i>		<b>SYSTEM 3E S.A.</b> Rondo ONZ 1, 00-124 Warszawa	
4. <i>System/s of AVCP:</i>		<b>System 2+</b>	
5. <i>Harmonised standard:</i> <i>Notified body/ies:</i>		<b>EN 771-3:2011+A1:2015</b> Instytut Materiałów Budowlanych i Technologii Betonu Sp. z o.o., notification nr. 2311	
6. <i>Declared performance/s:</i>			
<b>Essential characteristics</b>		<b>Performance</b>	
Dimensions and deviations from dimensions	Dimensions	length (A)	704 mm
		height (B)	300 mm
		width (C)	352 mm
	Deviations	D4	
Shape	 <p>Area of recesses does not exceed 20% of the elements total volume</p>		
Compressive strength		$\geq 1,5 \text{ N/mm}^2$	Cat I
Dimension stability		$\leq 0,30 \text{ mm/m}$	
Strength of joint	shear	NPD	
	bending	NPD	
Resistance to fire		A1	
Water absorption		after 10 min:	$\leq 40 \text{ g/m}^2 * s^{0,5}$
Water vapour permeability		$\mu \leq 15$	

Airborne sound insulation	Gross dry density	310±10% kg/m <sup>3</sup>
	Shape	
Thermal resistance	Thermal transmittance	$\lambda = 0,072 \pm 0,003 \text{ W}/(\text{m} \cdot \text{K})$
Freeze/thaw durability	Do not expose to the outdoors	
Hazardous substances	NPD	

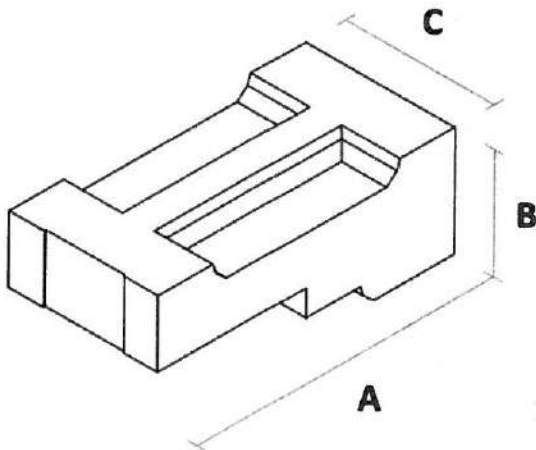
*The performance of the product identified above is in conformity with the set of declared performance characteristics. This declaration of performance is issued in accordance with Regulation (EU) No 305/2011 under the sole responsibility of the manufacturer identified above.*

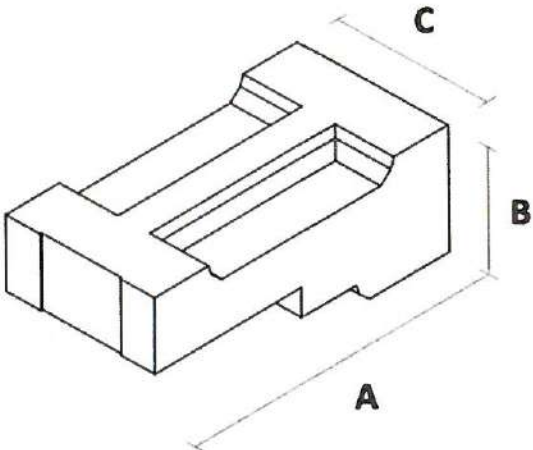
<p><i>On behalf of the manufacturer signed:</i></p> <p>in Warsaw, on 01.03.2023</p> <p><i>Place and date of issue</i></p>	<p><i>R&amp;D and Quality control manager</i></p>  <p>SYSTEM 3E S.A. ul. Różańska 1, 00-124 Warszawa KRS: 000068734, REGON: 1467862355 NIP: 521-76-76 <i>dr Patryk Bólimowski</i> <i>Name and position, signature</i></p>
---	---



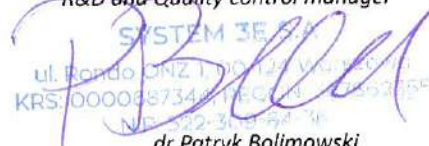
# Declaration of Performance

S3E EKO+/EPN WP//01/23

1. Unique identification code of the product-type:	<b>Masonry element from aggregate concrete (with lightweight aggregates) in SYSTEM 3E EKO+ technology, category I. Type: EPN WP</b>		
2. Intended use/es:	For masonry walls, columns and partitions		
3. Manufacturer:	<b>SYSTEM 3E S.A.</b> Rondo ONZ 1, 00-124 Warszawa		
4. System/s of AVCP:	<b>System 2+</b>		
5. Harmonised standard: Notified body/ies:	<b>EN 771-3:2011+A1:2015</b> Instytut Materiałów Budowlanych i Technologii Betonu Sp. z o.o., notification nr. 2311		
6. Declared performance/s:			
<b>Essential characteristics</b>		<b>Performance</b>	
Dimensions and deviations from dimensions	Dimensions	length (A)	704 mm
		height (B)	300 mm
	Deviations	width (C)	352 mm
			D4
Shape	 <p>Area of recesses does not exceed 20% of the elements total volume</p>		
Compressive strength	≥ 1,5 N/mm <sup>2</sup>		Cat I
Dimension stability	≤ 0,30 mm/m		
Strength of joint	shear	NPD	
	bending	NPD	
Resistance to fire	A1		
Water absorption	after 10 min:	≤ 40 g/m <sup>2</sup> * s <sup>0,5</sup>	
Water vapour permeability	μ ≤ 15		

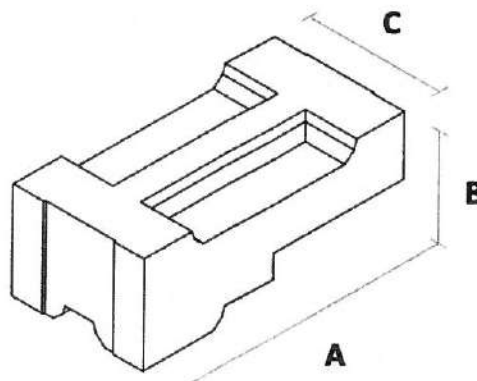
Airborne sound insulation	Gross dry density	310±10% kg/m <sup>3</sup>
	Shape	
Thermal resistance	Thermal transmittance	$\lambda = 0,072 \pm 0,003 \text{ W}/(\text{m}^2 \cdot \text{K})$
Freeze/thaw durability	Do not expose to the outdoors	
Hazardous substances	NPD	

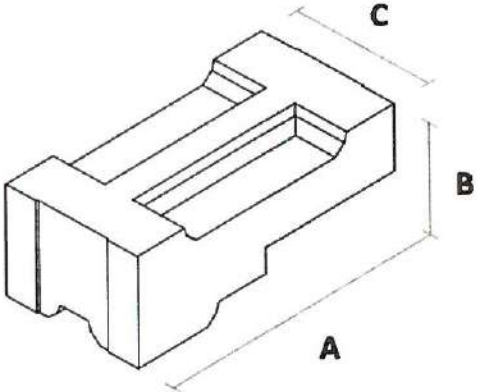
The performance of the product identified above is in conformity with the set of declared performance characteristics. This declaration of performance is issued in accordance with Regulation (EU) No 305/2011 under the sole responsibility of the manufacturer identified above.

<p>On behalf of the manufacturer signed:</p> <p>in Warsaw, on 01.03.2023</p> <p>Place and date of issue</p>	<p>R&amp;D and Quality control manager</p>  <p>SYSTEM 3E S.A. ul. Bordo ONZ 1 00-124 Warszawa KRS: 000098734 REGON: 14253759 NIP: 52-310-54-11</p> <p>dr Patryk Bolimowski Name and position, signature</p>
---	---

# Declaration of Performance

S3E EKO+/EPN WPL/II/01/23

1. Unique identification code of the product-type:	<b>Masonry element from aggregate concrete (with lightweight aggregates) in SYSTEM 3E EKO+ technology, category I. Type: EPN WPL</b>		
2. Intended use/es:	For masonry walls, columns and partitions		
3. Manufacturer:	SYSTEM 3E S.A. Rondo ONZ 1, 00-124 Warszawa		
4. System/s of AVCP:	System 2+		
5. Harmonised standard: Notified body/ies:	EN 771-3:2011+A1:2015 Instytut Materiałów Budowlanych i Technologii Betonu Sp. z o.o., notification nr. 2311		
6. Declared performance/s:			
<b>Essential characteristics</b>		<b>Performance</b>	
Dimensions and deviations from dimensions	Dimensions	length (A)	704 mm
		height (B)	300 mm
		width (C)	352 mm
	Deviations	D4	
Shape	 <p>Area of recesses does not exceed 20% of the elements total volume</p>		
Compressive strength	≥ 1,5 N/mm <sup>2</sup>		Cat I
Dimension stability	≤ 0,30 mm/m		
Strength of joint	shear	NPD	
	bending	NPD	
Resistance to fire	A1		
Water absorption	after 10 min:	≤ 40 g/m <sup>2</sup> * s <sup>0,5</sup>	
Water vapour permeability	μ ≤ 15		

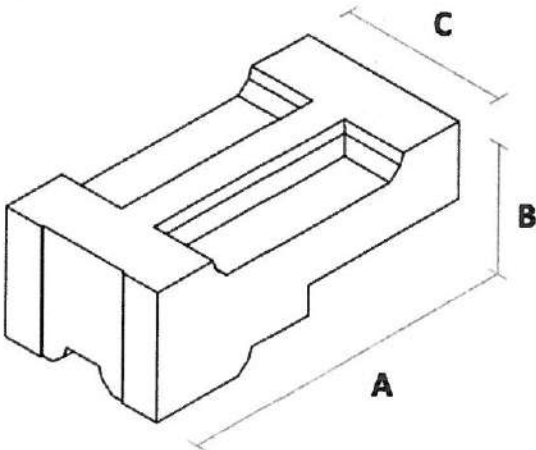
Airborne sound insulation	Gross dry density	310±10% kg/m <sup>3</sup>
	Shape	
Thermal resistance	Thermal transmittance	$\lambda = 0,072 \pm 0,003 \text{ W}/(\text{m}^*\text{K})$
Freeze/thaw durability	Do not expose to the outdoors	
Hazardous substances	NPD	

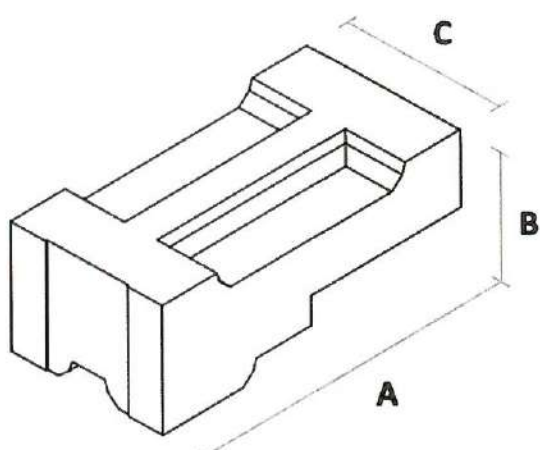
The performance of the product identified above is in conformity with the set of declared performance characteristics. This declaration of performance is issued in accordance with Regulation (EU) No 305/2011 under the sole responsibility of the manufacturer identified above.

<p>On behalf of the manufacturer signed:</p> <p>in Warsaw, on 01.03.2023</p> <p>Place and date of issue</p>	<p>R&amp;D and Quality control manager</p> <p>SYSTEM 3E S.A.</p> <p>ul. Ronda ONZ 1, 03-737 Warszawa</p> <p>KRS: 0000687340 REGON: 374852355</p> <p>NIP: 522 509 54 46</p> <p>dr Patryk Bolimowski</p> <p>Name and position, signature</p>
---	--

# Declaration of Performance

S3E EKO+/EPN WL//01/23

1. Unique identification code of the product-type:	<b>Masonry element from aggregate concrete (with lightweight aggregates) in SYSTEM 3E EKO+ technology, category I. Type: EPN WL</b>		
2. Intended use/es:	For masonry walls, columns and partitions		
3. Manufacturer:	<b>SYSTEM 3E S.A.</b> Rondo ONZ 1, 00-124 Warszawa		
4. System/s of AVCP:	<b>System 2+</b>		
5. Harmonised standard: Notified body/ies:	<b>EN 771-3:2011+A1:2015</b> Instytut Materiałów Budowlanych i Technologii Betonu Sp. z o.o., notification nr. 2311		
6. Declared performance/s:			
<b>Essential characteristics</b>		<b>Performance</b>	
Dimensions and deviations from dimensions	Dimensions	length (A)	704 mm
		height (B)	300 mm
		width (C)	352 mm
	Deviations	D4	
Shape	 <p>Area of recesses does not exceed 20% of the elements total volume</p>		
Compressive strength	≥ 1,5 N/mm <sup>2</sup>		Cat I
Dimension stability	≤ 0,30 mm/m		
Strength of joint	shear	NPD	
	bending	NPD	
Resistance to fire	A1		
Water absorption	after 10 min:	≤ 40 g/m <sup>2</sup> * s <sup>0,5</sup>	
Water vapour permeability	μ ≤ 15		

Airborne sound insulation	Gross dry density	310±10% kg/m <sup>3</sup>
	Shape	
Thermal resistance	Thermal transmittance	$\lambda = 0,072 \pm 0,003 \text{ W}/(\text{m}^2 \cdot \text{K})$
Freeze/thaw durability	Do not expose to the outdoors	
Hazardous substances	NPD	

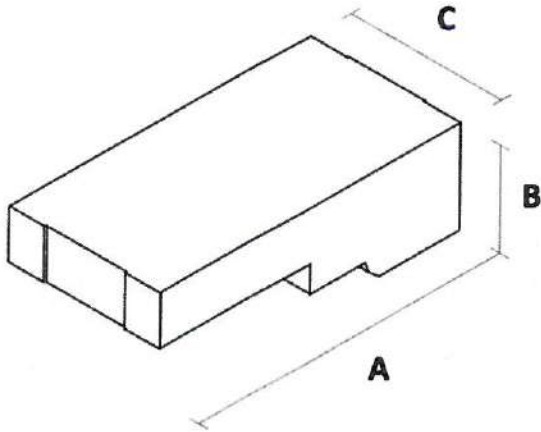
The performance of the product identified above is in conformity with the set of declared performance characteristics. This declaration of performance is issued in accordance with Regulation (EU) No 305/2011 under the sole responsibility of the manufacturer identified above.

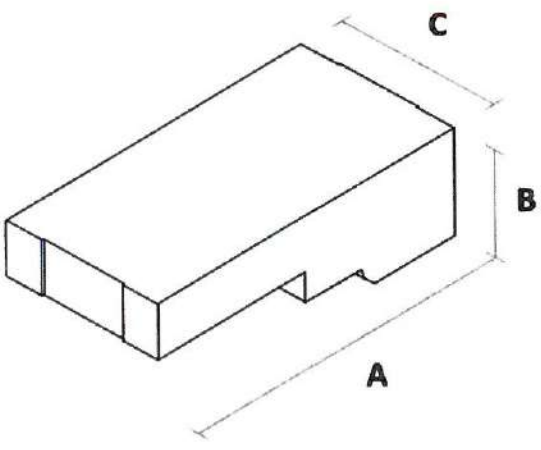
<p>On behalf of the manufacturer signed:</p> <p>in Warsaw, on 01.03.2023</p> <p>Place and date of issue</p>	<p>R&amp;D and Quality control manager</p> <p>SYSTEM 3E S.A.</p> <p>ul. Ronda ONZ 1, 01-124 Warszawa</p> <p>KRS: 0000637748, REGON: 14367812355</p> <p>NIP: 522-309-64-76</p> <p>dr Patryk Bolimowski</p> <p>Name and position, signature</p>
---	---



# Declaration of Performance

S3E EKO+/EWN WPP/II/01/23

1. Unique identification code of the product-type:		<b>Masonry element from aggregate concrete (with lightweight aggregates) in SYSTEM 3E EKO+ technology, category I. Type: EWN WPP</b>	
2. Intended use/es:		For masonry walls, columns and partitions	
3. Manufacturer:		<b>SYSTEM 3E S.A.</b> Rondo ONZ 1, 00-124 Warszawa	
4. System/s of AVCP:		<b>System 2+</b>	
5. Harmonised standard: Notified body/ies:		<b>EN 771-3:2011+A1:2015</b> Instytut Materiałów Budowlanych i Technologii Betonu Sp. z o.o., notification nr. 2311	
6. Declared performance/s:			
<b>Essential characteristics</b>		<b>Performance</b>	
Dimensions and deviations from dimensions	Dimensions	length (A)	704 mm
		height (B)	250 mm
		width (C)	352 mm
	Deviations	D4	
Shape	 <p>Area of recesses does not exceed 20% of the elements total volume</p>		
Compressive strength		≥ 1,5 N/mm <sup>2</sup> Cat I	
Dimension stability		≤ 0,30 mm/m	
Strength of joint	shear	NPD	
	bending	NPD	
Resistance to fire		A1	
Water absorption		after 10 min:      ≤ 40 g/m <sup>2</sup> * s <sup>0,5</sup>	
Water vapour permeability		μ ≤ 15	

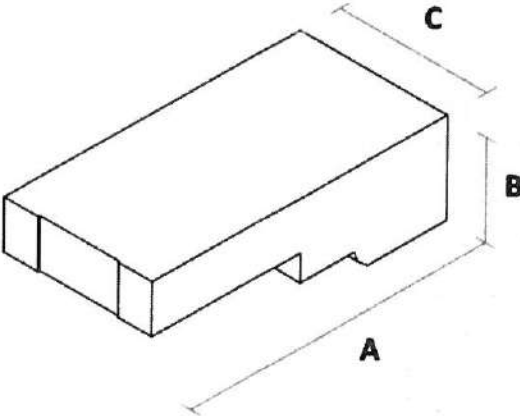
Airborne sound insulation	Gross dry density	310±10% kg/m <sup>3</sup>
	Shape	
Thermal resistance	Thermal transmittance	$\lambda = 0,072 \pm 0,003 \text{ W}/(\text{m}^*\text{K})$
Freeze/thaw durability	Do not expose to the outdoors	
Hazardous substances	NPD	

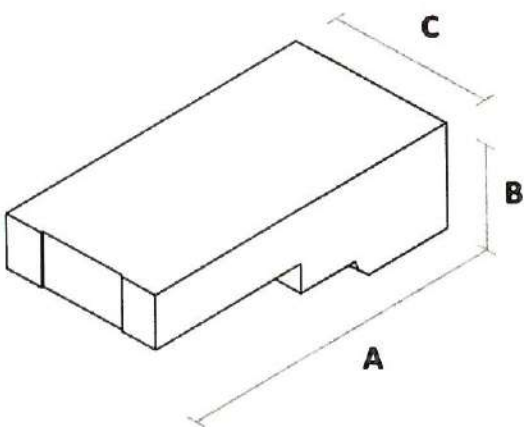
*The performance of the product identified above is in conformity with the set of declared performance characteristics. This declaration of performance is issued in accordance with Regulation (EU) No 305/2011 under the sole responsibility of the manufacturer identified above.*

<p><i>On behalf of the manufacturer signed:</i></p> <p>in Warsaw, on 01.03.2023</p> <p><i>Place and date of issue</i></p>	<p><i>R&amp;D and Quality control manager</i></p> <p>SYSTEM ZE S.A.          ul. Romilca 1, 00-174 Warszawa          KRS: 0000687374, REGON: 1427862355          NIP: 522-303-64-36</p> <p><i>dr Patryk Bolimowski</i>  <i>Name and position, signature</i></p>
---	---

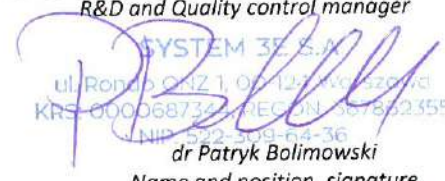
# Declaration of Performance

S3E EKO+/EWN WP/II/01/23

1. Unique identification code of the product-type:		<b>Masonry element from aggregate concrete (with lightweight aggregates) in SYSTEM 3E EKO+ technology, category I. Type: EWN WP</b>	
2. Intended use/es:		For masonry walls, columns and partitions	
3. Manufacturer:		<b>SYSTEM 3E S.A.</b> Rondo ONZ 1, 00-124 Warszawa	
4. System/s of AVCP:		<b>System 2+</b>	
5. Harmonised standard: Notified body/ies:		<b>EN 771-3:2011+A1:2015</b> Instytut Materiałów Budowlanych i Technologii Betonu Sp. z o.o., notification nr. 2311	
6. Declared performance/s:			
<b>Essential characteristics</b>		<b>Performance</b>	
Dimensions and deviations from dimensions	Dimensions	length (A)	704 mm
		height (B)	250 mm
		width (C)	352 mm
	Deviations	D4	
Shape	 <p>Area of recesses does not exceed 20% of the elements total volume</p>		
Compressive strength		$\geq 1,5 \text{ N/mm}^2$ Cat I	
Dimension stability		$\leq 0,30 \text{ mm/m}$	
Strength of joint	shear	NPD	
	bending	NPD	
Resistance to fire		A1	
Water absorption		after 10 min: $\leq 40 \text{ g/m}^2 \cdot \text{s}^{0,5}$	
Water vapour permeability		$\mu \leq 15$	

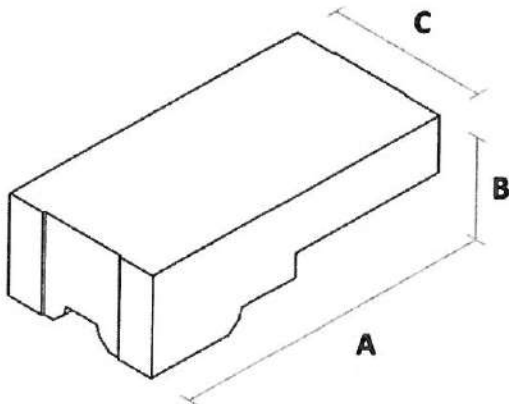
Airborne sound insulation	Gross dry density	310±10% kg/m <sup>3</sup>
	Shape	
Thermal resistance	Thermal transmittance	$\lambda = 0,072 \pm 0,003 \text{ W/(m}^2\text{K)}$
Freeze/thaw durability	Do not expose to the outdoors	
Hazardous substances	NPD	

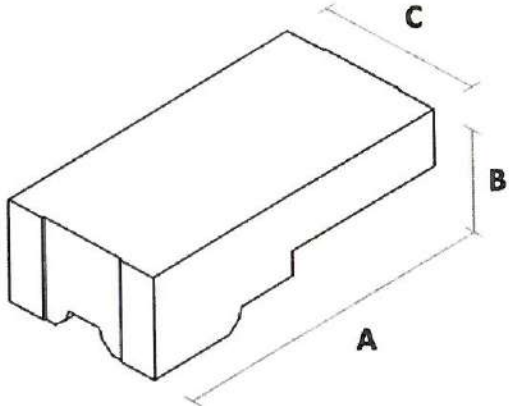
*The performance of the product identified above is in conformity with the set of declared performance characteristics. This declaration of performance is issued in accordance with Regulation (EU) No 305/2011 under the sole responsibility of the manufacturer identified above.*

<p><i>On behalf of the manufacturer signed:</i></p> <p>in Warsaw, on 01.03.2023</p> <p><i>Place and date of issue</i></p>	<p><i>R&amp;D and Quality control manager</i></p>  <p>SYSTEM 3E S.A. ul. Ronda ONZ 1, 01-121 Warszawa KRS 000068732 REGON 14785235E NIP 522-509-64-36 <i>dr Patryk Bolimowski</i> <i>Name and position, signature</i></p>
---	---

# Declaration of Performance

S3E EKO+/EWN WPL/I/01/23

1. Unique identification code of the product-type:		<b>Masonry element from aggregate concrete (with lightweight aggregates) in SYSTEM 3E EKO+ technology, category I. Type: EWN WPL</b>	
2. Intended use/es:		For masonry walls, columns and partitions	
3. Manufacturer:		<b>SYSTEM 3E S.A.</b> Rondo ONZ 1, 00-124 Warszawa	
4. System/s of AVCP:		<b>System 2+</b>	
5. Harmonised standard: Notified body/ies:		<b>EN 771-3:2011+A1:2015</b> Instytut Materiałów Budowlanych i Technologii Betonu Sp. z o.o., notification nr. 2311	
6. Declared performance/s:			
<b>Essential characteristics</b>		<b>Performance</b>	
Dimensions and deviations from dimensions	Dimensions	length (A)	704 mm
		height (B)	250 mm
		width (C)	352 mm
	Deviations	D4	
Shape	 <p>Area of recesses does not exceed 20% of the elements total volume</p>		
Compressive strength		$\geq 1,5 \text{ N/mm}^2$ Cat I	
Dimension stability		$\leq 0,30 \text{ mm/m}$	
Strength of joint	shear	NPD	
	bending	NPD	
Resistance to fire		A1	
Water absorption		after 10 min: $\leq 40 \text{ g/m}^2 * s^{0,5}$	
Water vapour permeability		$\mu \leq 15$	

Airborne sound insulation	Gross dry density	310±10% kg/m <sup>3</sup>
	Shape	
Thermal resistance	Thermal transmittance	$\lambda = 0,072 \pm 0,003 \text{ W}/(\text{m}^2 \cdot \text{K})$
Freeze/thaw durability	Do not expose to the outdoors	
Hazardous substances	NPD	

The performance of the product identified above is in conformity with the set of declared performance characteristics. This declaration of performance is issued in accordance with Regulation (EU) No 305/2011 under the sole responsibility of the manufacturer identified above.

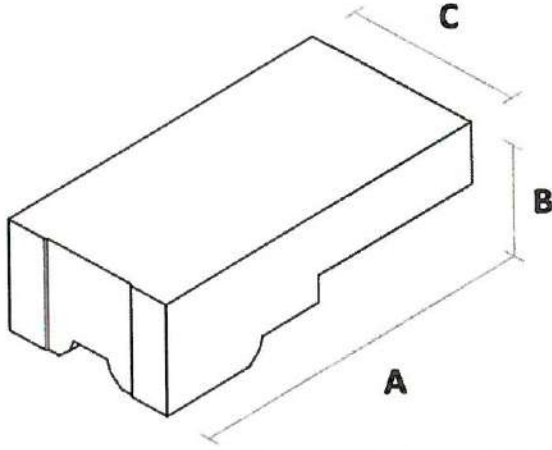
<p>On behalf of the manufacturer signed:</p> <p>in Warsaw, on 01.03.2023</p> <p>Place and date of issue</p>	<p>R&amp;D and Quality control manager</p> <p>SYSTEM 3F S.A.</p> <p>ul. Pondska 1, 03-124 Warszawa</p> <p>KRS: 0000687324, REGON: 307862355</p> <p>NIP: 522-309-64-36</p> <p><i>dr Patryk Bolimowski</i></p> <p>Name and position, signature</p>
---	--



# Declaration of Performance

S3E EKO+/EWN WL/I/01/23

1. Unique identification code of the product-type:	<b>Masonry element from aggregate concrete (with lightweight aggregates) in SYSTEM 3E EKO+ technology, category I. Type: EWN WL</b>		
2. Intended use/es:	For masonry walls, columns and partitions		
3. Manufacturer:	SYSTEM 3E S.A. Rondo ONZ 1, 00-124 Warszawa		
4. System/s of AVCP:	System 2+		
5. Harmonised standard: Notified body/ies:	EN 771-3:2011+A1:2015 Instytut Materiałów Budowlanych i Technologii Betonu Sp. z o.o., notification nr. 2311		
6. Declared performance/s:			
<b>Essential characteristics</b>		<b>Performance</b>	
Dimensions and deviations from dimensions	Dimensions	length (A)	704 mm
		height (B)	250 mm
	Deviations	width (C)	352 mm
			D4
Shape	<p style="text-align: center;">Area of recesses does not exceed 20% of the elements total volume</p>		
Compressive strength			$\geq 1,5 \text{ N/mm}^2$ Cat I
Dimension stability			$\leq 0,30 \text{ mm/m}$
Strength of joint	shear	NPD	
	bending	NPD	
Resistance to fire			A1
Water absorption	after 10 min:		$\leq 40 \text{ g/m}^2 * s^{0,5}$
Water vapour permeability			$\mu \leq 15$

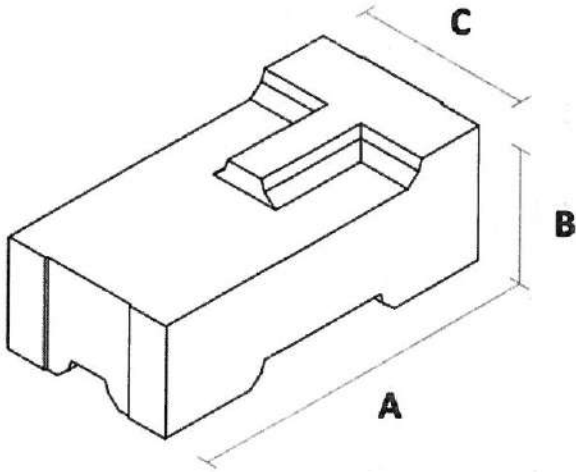
Airborne sound insulation	Gross dry density	310±10% kg/m <sup>3</sup>
	Shape	
Thermal resistance	Thermal transmittance	$\lambda = 0,072 \pm 0,003 \text{ W}/(\text{m} \cdot \text{K})$
Freeze/thaw durability	Do not expose to the outdoors	
Hazardous substances	NPD	

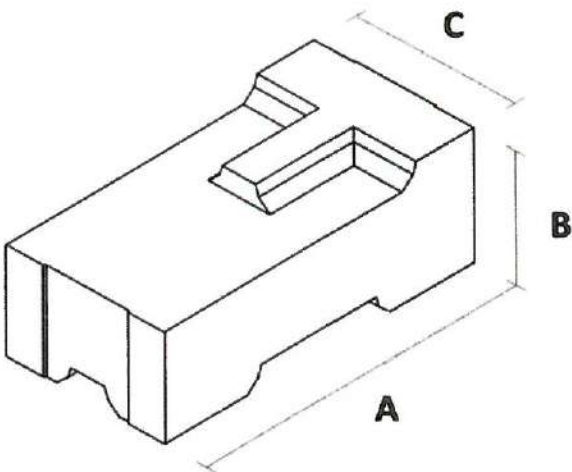
*The performance of the product identified above is in conformity with the set of declared performance characteristics. This declaration of performance is issued in accordance with Regulation (EU) No 305/2011 under the sole responsibility of the manufacturer identified above.*

<p><i>On behalf of the manufacturer signed:</i></p> <p>in Warsaw, on 01.03.2023</p> <p><i>Place and date of issue</i></p>	<p><i>R&amp;D and Quality control manager</i></p> <p>SYSTEM 3E S.A.  ul. Ronda Olszowej 90-124 Warszawa  KRS: 000068734 NIP: 522-300-64-11  dr Patryk Bólimowski  <i>Name and position, signature</i></p>
---	---


# Declaration of Performance

S3E EKO+/EO.2 WPP/II/01/23

1. <i>Unique identification code of the product-type:</i>		<b>Masonry element from aggregate concrete (with lightweight aggregates) in SYSTEM 3E EKO+ technology, category I. Type: EO/2 WPP</b>	
2. <i>Intended use/es:</i>		For masonry walls, columns and partitions	
3. <i>Manufacturer:</i>		<b>SYSTEM 3E S.A.</b> Rondo ONZ 1, 00-124 Warszawa	
4. <i>System/s of AVCP:</i>		<b>System 2+</b>	
5. <i>Harmonised standard:</i> <i>Notified body/ies:</i>		<b>EN 771-3:2011+A1:2015</b> Instytut Materiałów Budowlanych i Technologii Betonu Sp. z o.o., notification nr. 2311	
6. <i>Declared performance/s:</i>			
<b>Essential characteristics</b>		<b>Performance</b>	
Dimensions and deviations from dimensions	Dimensions	length (A)	704 mm
		height (B)	300 mm
		width (C)	352 mm
	Deviations	D4	
Shape	 <p>Area of recesses does not exceed 20% of the elements total volume</p>		
Compressive strength		≥ 1,5 N/mm <sup>2</sup> Cat I	
Dimension stability		≤ 0,30 mm/m	
Strength of joint	shear	NPD	
	bending	NPD	
Resistance to fire		A1	
Water absorption		after 10 min:      ≤ 40 g/m <sup>2</sup> * s <sup>0,5</sup>	
Water vapour permeability		μ ≤ 15	

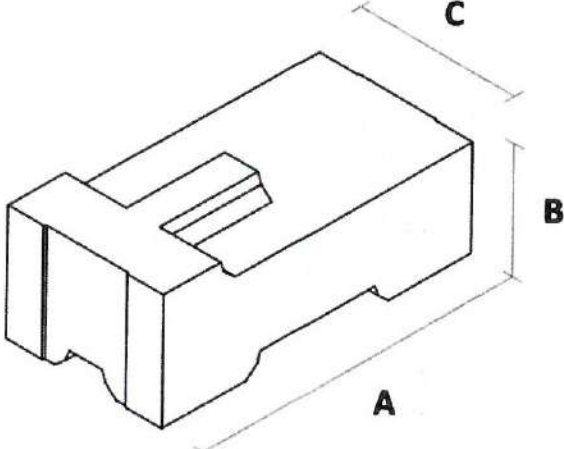
Airborne sound insulation	Gross dry density	310±10% kg/m <sup>3</sup>
	Shape	
Thermal resistance	Thermal transmittance	$\lambda = 0,072 \pm 0,003 \text{ W}/(\text{m}^2 \cdot \text{K})$
Freeze/thaw durability	Do not expose to the outdoors	
Hazardous substances	NPD	

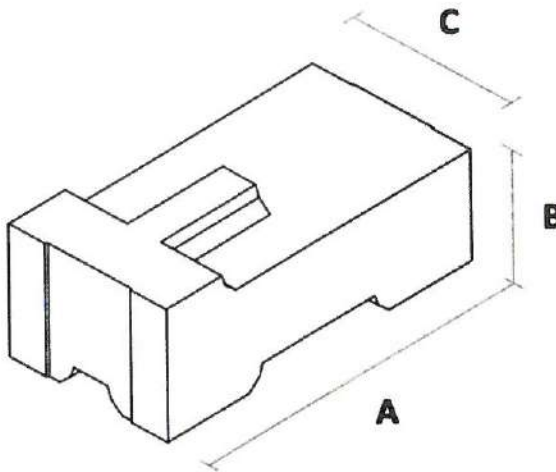
The performance of the product identified above is in conformity with the set of declared performance characteristics. This declaration of performance is issued in accordance with Regulation (EU) No 305/2011 under the sole responsibility of the manufacturer identified above.

<p>On behalf of the manufacturer signed:</p> <p>in Warsaw, on 01.03.2023</p> <p>Place and date of issue</p>	<p>R&amp;D and Quality control manager</p> <p>SYSTEM 3E S.A.</p> <p>ul. Bondy 10RZ 1 00-124 Warszawa</p> <p>KRS: 0000687344, REGON: 36786235E</p> <p>NIP: 522-309-64-36</p>  <p>dr Patryk Bolimowski</p> <p>Name and position, signature</p>
---	--

# Declaration of Performance

S3E EKO+/EO.2 WPL/I/01/23

1. <i>Unique identification code of the product-type:</i>		<b>Masonry element from aggregate concrete (with lightweight aggregates) in SYSTEM 3E EKO+ technology, category I. Type: EO/2 WPL</b>	
2. <i>Intended use/es:</i>		For masonry walls, columns and partitions	
3. <i>Manufacturer:</i>		<b>SYSTEM 3E S.A.</b> Rondo ONZ 1, 00-124 Warszawa	
4. <i>System/s of AVCP:</i>		<b>System 2+</b>	
5. <i>Harmonised standard: Notified body/ies:</i>		<b>EN 771-3:2011+A1:2015</b> Instytut Materiałów Budowlanych i Technologii Betonu Sp. z o.o., notification nr. 2311	
6. <i>Declared performance/s:</i>			
<b>Essential characteristics</b>		<b>Performance</b>	
Dimensions and deviations from dimensions	Dimensions	length (A)	704 mm
		height (B)	300 mm
	Deviations	width (C)	352 mm
		D4	
Shape	 <p>Area of recesses does not exceed 20% of the elements total volume</p>		
Compressive strength		$\geq 1,5 \text{ N/mm}^2$	Cat I
Dimension stability		$\leq 0,30 \text{ mm/m}$	
Strength of joint	shear	NPD	
	bending	NPD	
Resistance to fire		A1	
Water absorption		after 10 min:	$\leq 40 \text{ g/m}^2 * s^{0,5}$
Water vapour permeability		$\mu \leq 15$	

Airborne sound insulation	Gross dry density	310±10% kg/m <sup>3</sup>
	Shape	
Thermal resistance	Thermal transmittance	$\lambda = 0,072 \pm 0,003 \text{ W}/(\text{m}^2 \cdot \text{K})$
Freeze/thaw durability	Do not expose to the outdoors	
Hazardous substances	NPD	

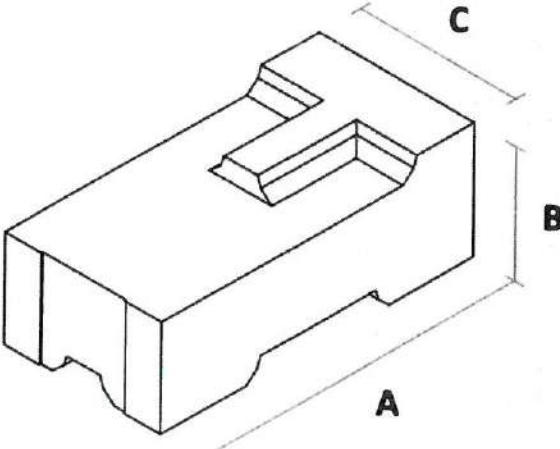
The performance of the product identified above is in conformity with the set of declared performance characteristics. This declaration of performance is issued in accordance with Regulation (EU) No 305/2011 under the sole responsibility of the manufacturer identified above.

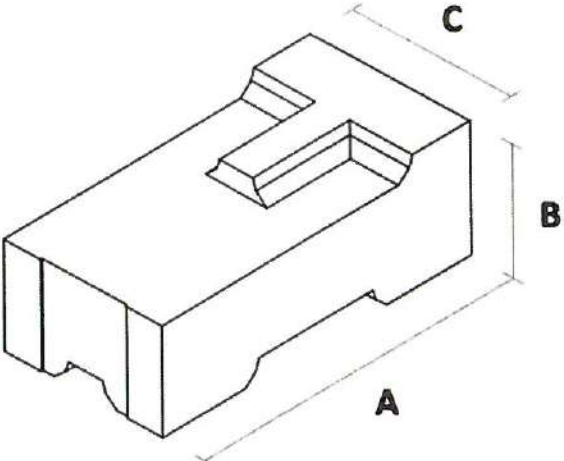
<p>On behalf of the manufacturer signed:</p> <p>in Warsaw, on 01.03.2023</p> <p>Place and date of issue</p>	<p>R&amp;D and Quality control manager</p> <p>SYSTEM 3E S.A.          ul. Ronda 1, 00-124 Warszawa          KRS: 0000987344 REGON: 143661355          NIP: 522-309-64-36</p> <p><i>dr Patryk Bolimowski</i>          Name and position, signature</p>
---	---



# Declaration of Performance

S3E EKO+/EO.2 WP/II/01/23

1. Unique identification code of the product-type:		<b>Masonry element from aggregate concrete (with lightweight aggregates) in SYSTEM 3E EKO+ technology, category I. Type: EO/2 WP</b>	
2. Intended use/es:		For masonry walls, columns and partitions	
3. Manufacturer:		<b>SYSTEM 3E S.A.</b> Rondo ONZ 1, 00-124 Warszawa	
4. System/s of AVCP:		<b>System 2+</b>	
5. Harmonised standard: Notified body/ies:		<b>EN 771-3:2011+A1:2015</b> Instytut Materiałów Budowlanych i Technologii Betonu Sp. z o.o., notification nr. 2311	
6. Declared performance/s:			
<b>Essential characteristics</b>		<b>Performance</b>	
Dimensions and deviations from dimensions	Dimensions	length (A)	704 mm
		height (B)	300 mm
		width (C)	352 mm
	Deviations	D4	
Shape	 <p>Area of recesses does not exceed 20% of the elements total volume</p>		
Compressive strength		$\geq 1,5 \text{ N/mm}^2$	Cat I
Dimension stability		$\leq 0,30 \text{ mm/m}$	
Strength of joint	shear	NPD	
	bending	NPD	
Resistance to fire		A1	
Water absorption		after 10 min:	$\leq 40 \text{ g/m}^2 * s^{0,5}$
Water vapour permeability		$\mu \leq 15$	

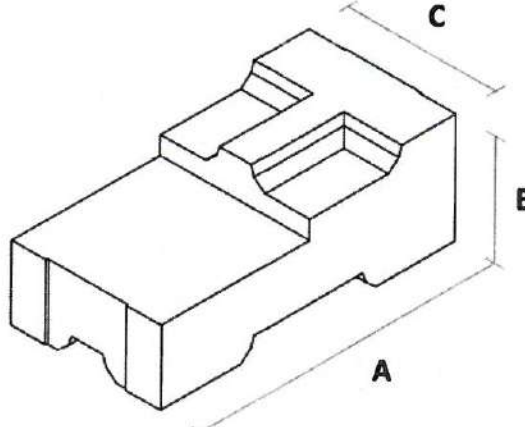
Airborne sound insulation	Gross dry density	310±10% kg/m <sup>3</sup>
	Shape	
Thermal resistance	Thermal transmittance	$\lambda = 0,072 \pm 0,003 \text{ W}/(\text{m} \cdot \text{K})$
Freeze/thaw durability	Do not expose to the outdoors	
Hazardous substances	NPD	

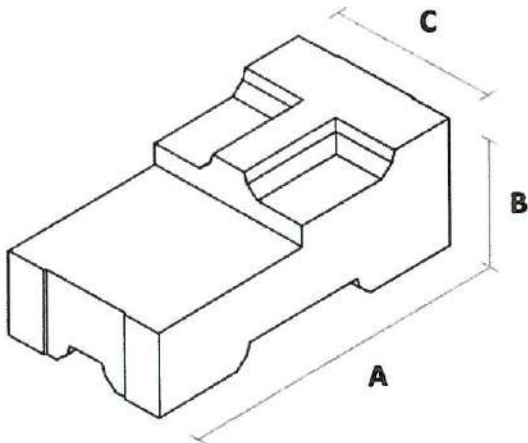
The performance of the product identified above is in conformity with the set of declared performance characteristics. This declaration of performance is issued in accordance with Regulation (EU) No 305/2011 under the sole responsibility of the manufacturer identified above.

<p>On behalf of the manufacturer signed:</p> <p>in Warsaw, on 01.03.2023</p> <p>Place and date of issue</p>	<p>R&amp;D and Quality control manager</p> <p><i>[Signature]</i></p> <p>SYSTEM 3E S.A.          ul. Pondska 1, 01-241 Warszawa          KRS: 000087348 REGON: 387862355          NIP: 522-300-64-36</p> <p>dr Patryk Bólimowski          Name and position, signature</p>
---	---

# Declaration of Performance

S3E EKO+/EO.2 200 WPP/II/01/23

1. Unique identification code of the product-type:		<b>Masonry element from aggregate concrete (with lightweight aggregates) in SYSTEM 3E EKO+ technology, category I. Type: EO/2 200 WPP</b>	
2. Intended use/es:		For masonry walls, columns and partitions	
3. Manufacturer:		<b>SYSTEM 3E S.A.</b> Rondo ONZ 1, 00-124 Warszawa	
4. System/s of AVCP:		<b>System 2+</b>	
5. Harmonised standard: Notified body/ies:		<b>EN 771-3:2011+A1:2015</b> Instytut Materiałów Budowlanych i Technologii Betonu Sp. z o.o., notification nr. 2311	
6. Declared performance/s:			
<b>Essential characteristics</b>		<b>Performance</b>	
Dimensions and deviations from dimensions	Dimensions	length (A)	704 mm
		height (B)	300 mm
		width (C)	352 mm
	Deviations	D4	
Shape	 <p>Area of recesses does not exceed 20% of the elements total volume</p>		
Compressive strength		≥ 1,5 N/mm <sup>2</sup>	Cat I
Dimension stability		≤ 0,30 mm/m	
Strength of joint	shear	NPD	
	bending	NPD	
Resistance to fire		A1	
Water absorption		after 10 min:	≤ 40 g/m <sup>2</sup> * s <sup>0,5</sup>
Water vapour permeability		μ ≤ 15	

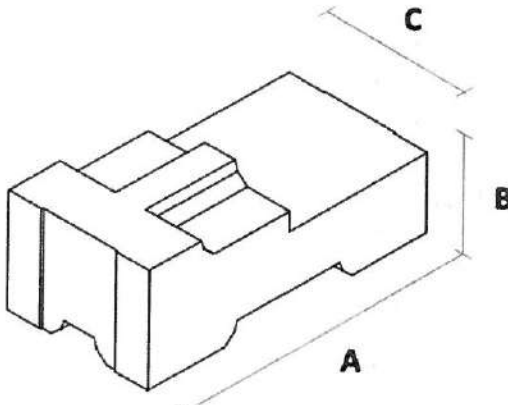
Airborne sound insulation	Gross dry density	310±10% kg/m <sup>3</sup>
	Shape	
Thermal resistance	Thermal transmittance	$\lambda = 0,072 \pm 0,003 \text{ W}/(\text{m} \cdot \text{K})$
Freeze/thaw durability	Do not expose to the outdoors	
Hazardous substances	NPD	

*The performance of the product identified above is in conformity with the set of declared performance characteristics. This declaration of performance is issued in accordance with Regulation (EU) No 305/2011 under the sole responsibility of the manufacturer identified above.*

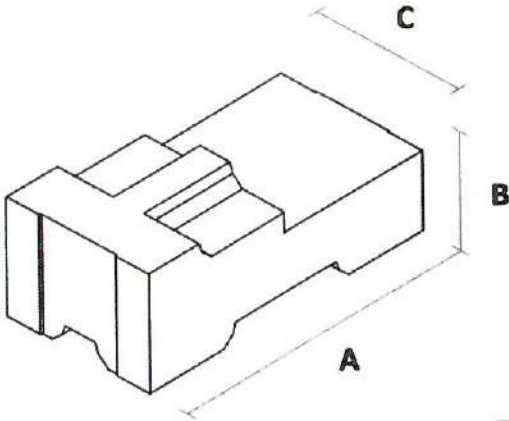
<p><i>On behalf of the manufacturer signed:</i></p> <p>in Warsaw, on 01.03.2023</p> <p><i>Place and date of issue</i></p>	<p><i>R&amp;D and Quality control manager</i></p> <p>SYSTEM 3E S.A.          ul. Pondo 642-100-124 w/warszawa          KRS: 0000687341, REGON: 367862355          NIP: 522-309-64-36  <i>dr Patryk Bolimowski</i>  <i>Name and position, signature</i></p>
---	--

# Declaration of Performance

S3E EKO+/EO.2 200 WPL/I/01/23

1. Unique identification code of the product-type:		<b>Masonry element from aggregate concrete (with lightweight aggregates) in SYSTEM 3E EKO+ technology, category I. Type: EO/2 200 WPL</b>	
2. Intended use/es:		For masonry walls, columns and partitions	
3. Manufacturer:		<b>SYSTEM 3E S.A.</b> Rondo ONZ 1, 00-124 Warszawa	
4. System/s of AVCP:		<b>System 2+</b>	
5. Harmonised standard: Notified body/ies:		<b>EN 771-3:2011+A1:2015</b> Instytut Materiałów Budowlanych i Technologii Betonu Sp. z o.o., notification nr. 2311	
6. Declared performance/s:			
<b>Essential characteristics</b>		<b>Performance</b>	
Dimensions and deviations from dimensions	Dimensions	length (A)	704 mm
		height (B)	300 mm
		width (C)	352 mm
	Deviations	D4	
Shape		 <p>Area of recesses does not exceed 20% of the elements total volume</p>	
Compressive strength		≥ 1,5 N/mm <sup>2</sup> Cat I	
Dimension stability		≤ 0,30 mm/m	
Strength of joint	shear	NPD	
	bending	NPD	
Resistance to fire		A1	
Water absorption		after 10 min:      ≤ 40 g/m <sup>2</sup> * s <sup>0,5</sup>	
Water vapour permeability		μ ≤ 15	



Airborne sound insulation	Gross dry density	310±10% kg/m <sup>3</sup>
	Shape	
Thermal resistance	Thermal transmittance	$\lambda = 0,072 \pm 0,003 \text{ W}/(\text{m} \cdot \text{K})$
Freeze/thaw durability	Do not expose to the outdoors	
Hazardous substances	NPD	

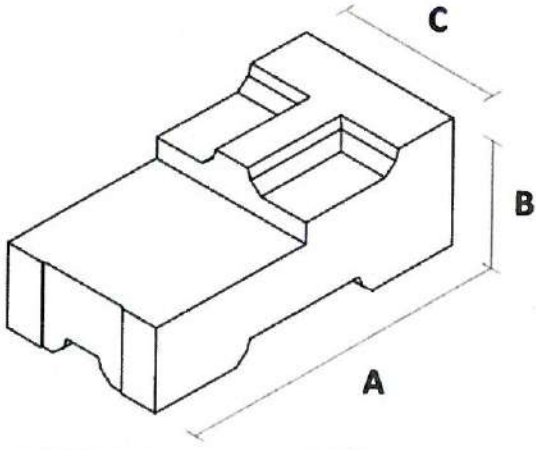
The performance of the product identified above is in conformity with the set of declared performance characteristics. This declaration of performance is issued in accordance with Regulation (EU) No 305/2011 under the sole responsibility of the manufacturer identified above.

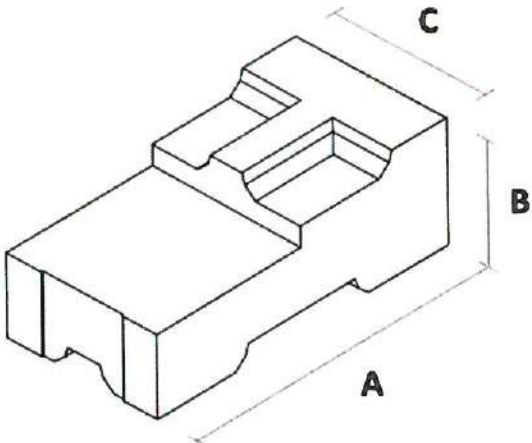
<p>On behalf of the manufacturer signed:</p> <p>in Warsaw, on 01.03.2023</p> <p>Place and date of issue</p>	<p>R&amp;D and Quality control manager</p> <p>SYSTEM 3E S.A.</p> <p>ul. Rondo Olimpijskie 12, Warszawa</p> <p>KRS: 0000657344, REGON: 1467452355</p> <p>NIP: 522-309-64-36</p> <p><i>dr Patryk Bolimowski</i></p> <p>Name and position, signature</p>
---	---



# Declaration of Performance

S3E EKO+/EO.2 200 WP/II/01/23

1. Unique identification code of the product-type:	<b>Masonry element from aggregate concrete (with lightweight aggregates) in SYSTEM 3E EKO+ technology, category I. Type: EO/2 200 WPP</b>		
2. Intended use/es:	For masonry walls, columns and partitions		
3. Manufacturer:	<b>SYSTEM 3E S.A.</b> Rondo ONZ 1, 00-124 Warszawa		
4. System/s of AVCP:	<b>System 2+</b>		
5. Harmonised standard: Notified body/ies:	<b>EN 771-3:2011+A1:2015</b> Instytut Materiałów Budowlanych i Technologii Betonu Sp. z o.o., notification nr. 2311		
6. Declared performance/s:			
<b>Essential characteristics</b>		<b>Performance</b>	
Dimensions and deviations from dimensions	Dimensions	length (A)	704 mm
		height (B)	300 mm
		width (C)	352 mm
	Deviations	D4	
Shape	 <p>Area of recesses does not exceed 20% of the elements total volume</p>		
Compressive strength			$\geq 1,5 \text{ N/mm}^2$ Cat I
Dimension stability			$\leq 0,30 \text{ mm/m}$
Strength of joint	shear	NPD	
	bending	NPD	
Resistance to fire			A1
Water absorption	after 10 min:	$\leq 40 \text{ g/m}^2 \cdot \text{s}^{0,5}$	
Water vapour permeability			$\mu \leq 15$

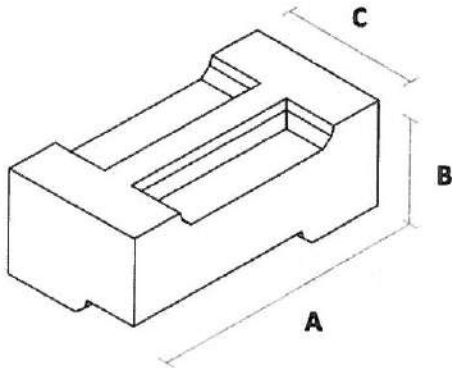
Airborne sound insulation	Gross dry density	310±10% kg/m <sup>3</sup>
	Shape	
Thermal resistance	Thermal transmittance	$\lambda = 0,072 \pm 0,003 \text{ W}/(\text{m}^2 \cdot \text{K})$
Freeze/thaw durability	Do not expose to the outdoors	
Hazardous substances	NPD	

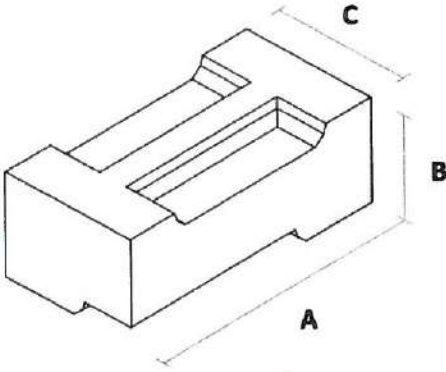
The performance of the product identified above is in conformity with the set of declared performance characteristics. This declaration of performance is issued in accordance with Regulation (EU) No 305/2011 under the sole responsibility of the manufacturer identified above.

<p>On behalf of the manufacturer signed:</p> <p>in Warsaw, on 01.03.2023</p> <p>Place and date of issue</p>	<p>R&amp;D and Quality control manager</p> <p>SYSTEM 3E S.A.  ul. Rondo 20/21, 00-124 Warszawa  KRS: 0000687344, REGON: 140662355  NIP: 525-760-38</p> <p><i>dr Patryk Bolimowski</i>  Name and position, signature</p>
---	---


# Declaration of Performance

S3E EKO+/SNL/I/01/21

1. Unique identification code of the product-type:		<b>Masonry element from aggregate concrete (with lightweight aggregates) in SYSTEM 3E EKO+ technology, category I. Type: SNL</b>	
2. Intended use/es:		For masonry walls, columns and partitions	
3. Manufacturer:		SYSTEM 3E S.A. Rondo ONZ 1, 00-124 Warszawa	
4. System/s of AVCP:		System 2+	
5. Harmonised standard: Notified body/ies:		EN 771-3:2011+A1:2015 Instytut Materiałów Budowlanych i Technologii Betonu Sp. z o.o., notification nr. 2311	
6. Declared performance/s:			
<b>Essential characteristics</b>		<b>Performance</b>	
Dimensions and deviations from dimensions	Dimensions	length (A)	704 mm
		height (B)	300 mm
	Deviations	width (C)	352 mm
			D4
Shape	 <p style="text-align: center;">Area of recesses does not exceed 20% of the elements total volume</p>		
Compressive strength		$\geq 1,5 \text{ N/mm}^2$	Cat I
Dimension stability		$\leq 0,30 \text{ mm/m}$	
Strength of joint	shear	NPD	
	bending	NPD	
Resistance to fire		A1	
Water absorption		after 10 min:	$\leq 40 \text{ g/m}^2 * s^{0,5}$
Water vapour permeability		$\mu \leq 15$	

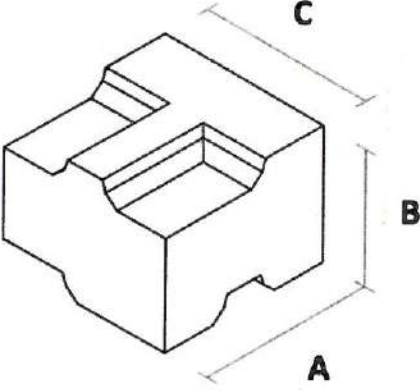
Airborne sound insulation	Gross dry density	310±10% kg/m <sup>3</sup>
	Shape	
Thermal resistance	Thermal transmittance	$\lambda = 0,072 \pm 0,003 \text{ W}/(\text{m} \cdot \text{K})$
Freeze/thaw durability	Do not expose to the outdoors	
Hazardous substances	NPD	

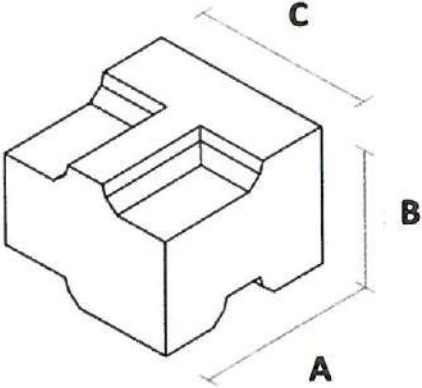
*The performance of the product identified above is in conformity with the set of declared performance characteristics. This declaration of performance is issued in accordance with Regulation (EU) No 305/2011 under the sole responsibility of the manufacturer identified above.*

<p><i>On behalf of the manufacturer signed:</i></p> <p>in Warsaw, on 22.10.2021</p> <p><i>Place and date of issue</i></p>	<p><i>R&amp;D and Quality control manager</i></p>  <p><i>dr Patryk Bolimowski</i> <i>Name and position, signature</i></p>
---	---

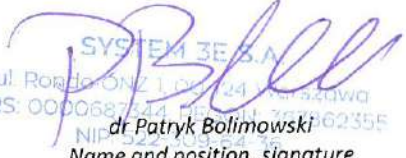
# Declaration of Performance

S3E EKO+/SNL.2//01/23

1. Unique identification code of the product-type:		<b>Masonry element from aggregate concrete (with lightweight aggregates) in SYSTEM 3E EKO+ technology, category I. Type: SNL/2</b>	
2. Intended use/es:		For masonry walls, columns and partitions	
3. Manufacturer:		<b>SYSTEM 3E S.A.</b> Rondo ONZ 1, 00-124 Warszawa	
4. System/s of AVCP:		<b>System 2+</b>	
5. Harmonised standard: Notified body/ies:		<b>EN 771-3:2011+A1:2015</b> Instytut Materiałów Budowlanych i Technologii Betonu Sp. z o.o., notification nr. 2311	
6. Declared performance/s:			
<b>Essential characteristics</b>		<b>Performance</b>	
Dimensions and deviations from dimensions	Dimensions	length (A)	352 mm
		height (B)	300 mm
		width (C)	352 mm
	Deviations	D4	
Shape	 <p style="text-align: center;">Area of recesses does not exceed 20% of the elements total volume</p>		
Compressive strength		$\geq 1,5 \text{ N/mm}^2$	Cat I
Dimension stability		$\leq 0,30 \text{ mm/m}$	
Strength of joint	shear	NPD	
	bending	NPD	
Resistance to fire		A1	
Water absorption		after 10 min:	$\leq 40 \text{ g/m}^2 * s^{0,5}$
Water vapour permeability		$\mu \leq 15$	

Airborne sound insulation	Gross dry density	310±10% kg/m <sup>3</sup>
	Shape	
Thermal resistance	Thermal transmittance	$\lambda = 0,072 \pm 0,003 \text{ W}/(\text{m} \cdot \text{K})$
Freeze/thaw durability	Do not expose to the outdoors	
Hazardous substances	NPD	

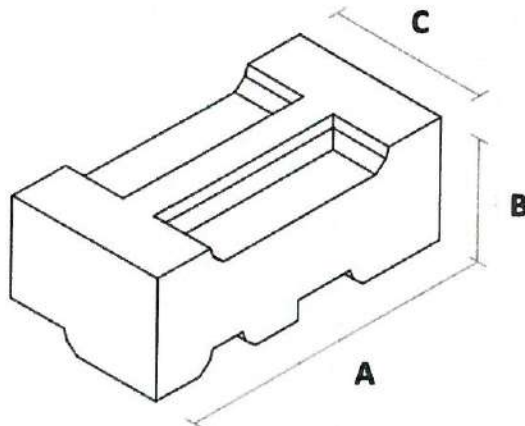
The performance of the product identified above is in conformity with the set of declared performance characteristics. This declaration of performance is issued in accordance with Regulation (EU) No 305/2011 under the sole responsibility of the manufacturer identified above.

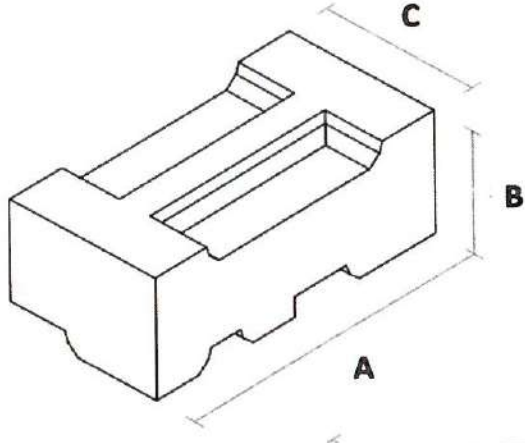
<p>On behalf of the manufacturer signed:</p> <p>in Warsaw, on 01.03.2023</p> <p>Place and date of issue</p>	<p>R&amp;D and Quality control manager</p>  <p>SYSTEM 3E S.A. ul. Ronda ONZ 1, 02-24 Warszawa KRS: 000068744, NIP: 522-241-750, REGON: 14162355 dr Patryk Bolimowski Name and position, signature</p>
---	---



# Declaration of Performance

S3E EKO+/SNP//01/21

1. <i>Unique identification code of the product-type:</i>		<b>Masonry element from aggregate concrete (with lightweight aggregates) in SYSTEM 3E EKO+ technology, category I. Type: SNP</b>	
2. <i>Intended use/es:</i>		For masonry walls, columns and partitions	
3. <i>Manufacturer:</i>		<b>SYSTEM 3E S.A.</b> Rondo ONZ 1, 00-124 Warszawa	
4. <i>System/s of AVCP:</i>		<b>System 2+</b>	
5. <i>Harmonised standard:</i> <i>Notified body/ies:</i>		<b>EN 771-3:2011+A1:2015</b> Instytut Materiałów Budowlanych i Technologii Betonu Sp. z o.o., notification nr. 2311	
6. <i>Declared performance/s:</i>			
<b>Essential characteristics</b>		<b>Performance</b>	
Dimensions and deviations from dimensions	Dimensions	length (A)	704 mm
		height (B)	300 mm
		width (C)	352 mm
	Deviations	D4	
Shape	 <p>Area of recesses does not exceed 20% of the elements total volume</p>		
Compressive strength		$\geq 1,5 \text{ N/mm}^2$	Cat I
Dimension stability		$\leq 0,30 \text{ mm/m}$	
Strength of joint	shear	NPD	
	bending	NPD	
Resistance to fire		A1	
Water absorption		after 10 min:	$\leq 40 \text{ g/m}^2 \cdot \text{s}^{0,5}$
Water vapour permeability		$\mu \leq 15$	

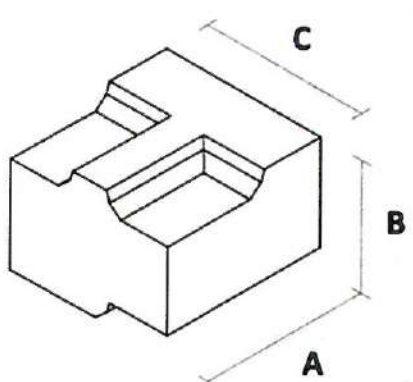
Airborne sound insulation	Gross dry density	310±10% kg/m <sup>3</sup>
	Shape	
Thermal resistance	Thermal transmittance	$\lambda = 0,072 \pm 0,003 \text{ W}/(\text{m}^2 \cdot \text{K})$
Freeze/thaw durability	Do not expose to the outdoors	
Hazardous substances	NPD	

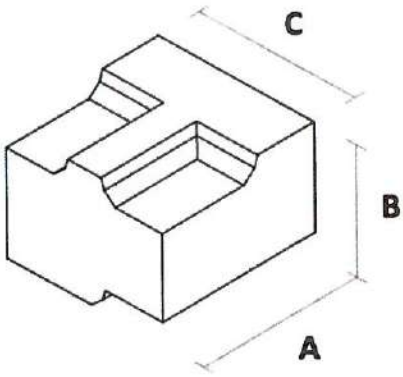
The performance of the product identified above is in conformity with the set of declared performance characteristics. This declaration of performance is issued in accordance with Regulation (EU) No 305/2011 under the sole responsibility of the manufacturer identified above.

<p>On behalf of the manufacturer signed:</p> <p>in Warsaw, on 22.10.2021</p> <p>Place and date of issue</p>	<p>R&amp;D and Quality control manager</p> <p>SYSTEM 3E S.</p> <p>ul. Ronda ONZ 1 00-724 Warszawa  KRS: 000067344 REGON: 143786235E  NIP: 22-309-64-36</p> <p><i>Patryk Bolimowski</i></p> <p>dr Patryk Bolimowski  Name and position, signature</p>
---	--

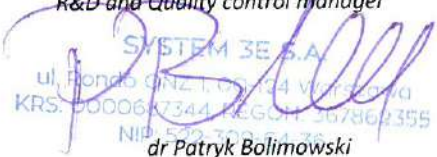
# Declaration of Performance

S3E EKO+/SNP.2/I/01/23

1. Unique identification code of the product-type:	<b>Masonry element from aggregate concrete (with lightweight aggregates) in SYSTEM 3E EKO+ technology, category I. Type: SNP/2</b>		
2. Intended use/es:	For masonry walls, columns and partitions		
3. Manufacturer:	<b>SYSTEM 3E S.A.</b> Rondo ONZ 1, 00-124 Warszawa		
4. System/s of AVCP:	<b>System 2+</b>		
5. Harmonised standard: Notified body/ies:	<b>EN 771-3:2011+A1:2015</b> Instytut Materiałów Budowlanych i Technologii Betonu Sp. z o.o., notification nr. 2311		
6. Declared performance/s:			
<b>Essential characteristics</b>		<b>Performance</b>	
Dimensions and deviations from dimensions	Dimensions	length (A)	352 mm
		height (B)	300 mm
		width (C)	352 mm
	Deviations	D4	
Shape	 <p style="text-align: center;">Area of recesses does not exceed 20% of the elements total volume</p>		
Compressive strength	≥ 1,5 N/mm <sup>2</sup>		Cat I
Dimension stability	≤ 0,30 mm/m		
Strength of joint	shear	NPD	
	bending	NPD	
Resistance to fire	A1		
Water absorption	after 10 min:	≤ 40 g/m <sup>2</sup> * s <sup>0,5</sup>	
Water vapour permeability	μ ≤ 15		

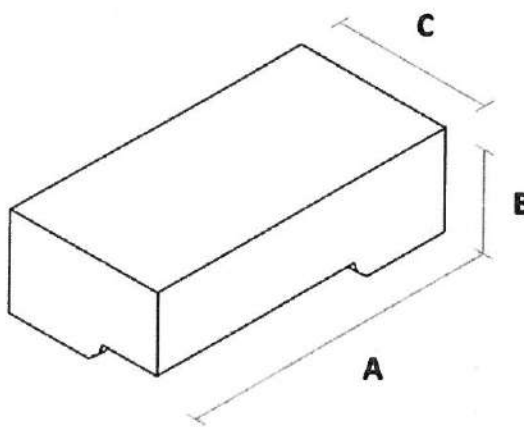
Airborne sound insulation	Gross dry density	310±10% kg/m <sup>3</sup>
	Shape	
Thermal resistance	Thermal transmittance	$\lambda = 0,072 \pm 0,003 \text{ W}/(\text{m} \cdot \text{K})$
Freeze/thaw durability	Do not expose to the outdoors	
Hazardous substances	NPD	

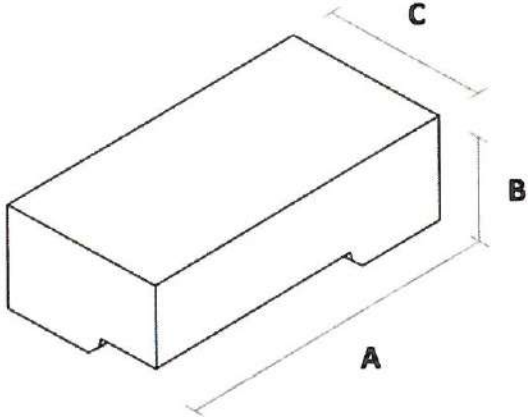
The performance of the product identified above is in conformity with the set of declared performance characteristics. This declaration of performance is issued in accordance with Regulation (EU) No 305/2011 under the sole responsibility of the manufacturer identified above.

<p>On behalf of the manufacturer signed:</p> <p>in Warsaw, on 01.03.2023</p> <p>Place and date of issue</p>	<p>R&amp;D and Quality control manager</p>  <p>SYSTEM 3E S.A. ul. Bondy 61/21, 01-734 Warszawa KRS: 0000647344 REGON: 1467862355 NIP: 529-709-61-70</p> <p>dr Patryk Bolimowski Name and position, signature</p>
---	--

# Declaration of Performance

S3E EKO+/SZL/II/01/21

1. Unique identification code of the product-type:	<b>Masonry element from aggregate concrete (with lightweight aggregates) in SYSTEM 3E EKO+ technology, category I. Type: SZL</b>		
2. Intended use/es:	For masonry walls, columns and partitions		
3. Manufacturer:	<b>SYSTEM 3E S.A.</b> Rondo ONZ 1, 00-124 Warszawa		
4. System/s of AVCP:	<b>System 2+</b>		
5. Harmonised standard: Notified body/ies:	<b>EN 771-3:2011+A1:2015</b> Instytut Materiałów Budowlanych i Technologii Betonu Sp. z o.o., notification nr. 2311		
6. Declared performance/s:			
<b>Essential characteristics</b>		<b>Performance</b>	
Dimensions and deviations from dimensions	Dimensions	length (A)	704 mm
		height (B)	250 mm
		width (C)	352 mm
	Deviations	D4	
Shape	 <p style="text-align: center;">Area of recesses does not exceed 20% of the elements total volume</p>		
Compressive strength	$\geq 1,5 \text{ N/mm}^2$ Cat I		
Dimension stability	$\leq 0,30 \text{ mm/m}$		
Strength of joint	shear	NPD	
	bending	NPD	
Resistance to fire	A1		
Water absorption	after 10 min:	$\leq 40 \text{ g/m}^2 * s^{0,5}$	
Water vapour permeability	$\mu \leq 15$		

	Gross dry density	310±10% kg/m <sup>3</sup>
Airborne sound insulation	Shape	
Thermal resistance	Thermal transmittance	$\lambda = 0,072 \pm 0,003 \text{ W}/(\text{m} \cdot \text{K})$
Freeze/thaw durability	Do not expose to the outdoors	
Hazardous substances	NPD	

The performance of the product identified above is in conformity with the set of declared performance characteristics. This declaration of performance is issued in accordance with Regulation (EU) No 305/2011 under the sole responsibility of the manufacturer identified above.

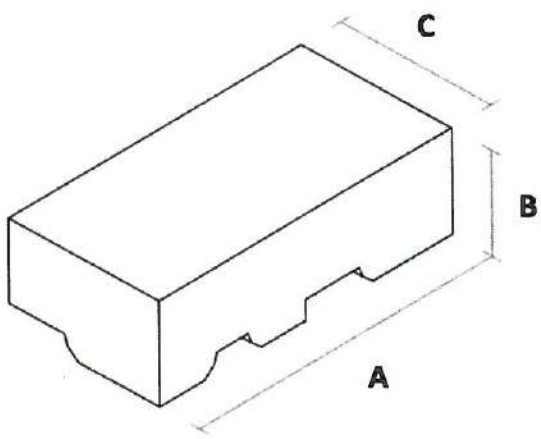
<p>On behalf of the manufacturer signed:</p> <p>in Warsaw, on 22.10.2021</p> <p>Place and date of issue</p>	<p>R&amp;D and Quality control manager</p> <p>SYSTEM 3E S.A.</p> <p>ul. Ronda ONZ 1, 01-241 Warszawa</p> <p>KRS: 0000687344, REGON: 1487862355</p> <p>NIP: 5252042133</p> <p>dr Patryk Bólimowski</p> <p>Name and position, signature</p>
---	---



# Declaration of Performance

S3E EKO+/SZP//01/21

1. Unique identification code of the product-type:	<b>Masonry element from aggregate concrete (with lightweight aggregates) in SYSTEM 3E EKO+ technology, category I. Type: SZP</b>		
2. Intended use/es:	For masonry walls, columns and partitions		
3. Manufacturer:	<b>SYSTEM 3E S.A.</b> Rondo ONZ 1, 00-124 Warszawa		
4. System/s of AVCP:	<b>System 2+</b>		
5. Harmonised standard: Notified body/ies:	<b>EN 771-3:2011+A1:2015</b> Instytut Materiałów Budowlanych i Technologii Betonu Sp. z o.o., notification nr. 2311		
6. Declared performance/s:			
<b>Essential characteristics</b>		<b>Performance</b>	
Dimensions and deviations from dimensions	Dimensions	length (A)	704 mm
		height (B)	250 mm
		width (C)	352 mm
	Deviations	D4	
Shape	<p style="text-align: center;">Area of recesses does not exceed 20% of the elements total volume</p>		
Compressive strength	≥ 1,5 N/mm <sup>2</sup>		Cat I
Dimension stability	≤ 0,30 mm/m		
Strength of joint	shear	NPD	
	bending	NPD	
Resistance to fire	A1		
Water absorption	after 10 min:	≤ 40 g/m <sup>2</sup> * s <sup>0,5</sup>	
Water vapour permeability	μ ≤ 15		

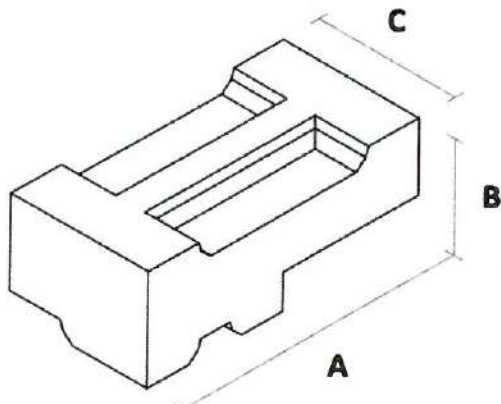
Airborne sound insulation	Gross dry density	310±10% kg/m <sup>3</sup>
	Shape	
Thermal resistance	Thermal transmittance	$\lambda = 0,072 \pm 0,003 \text{ W}/(\text{m} \cdot \text{K})$
Freeze/thaw durability	Do not expose to the outdoors	
Hazardous substances	NPD	

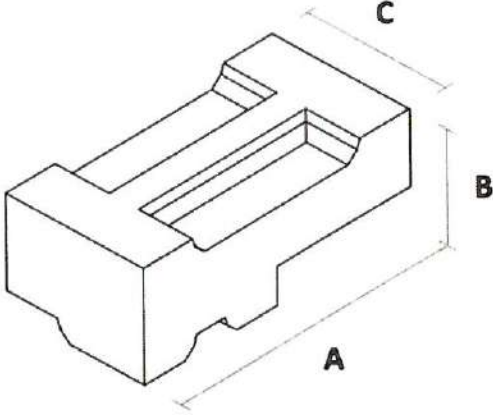
*The performance of the product identified above is in conformity with the set of declared performance characteristics. This declaration of performance is issued in accordance with Regulation (EU) No 305/2011 under the sole responsibility of the manufacturer identified above.*

<p><i>On behalf of the manufacturer signed:</i></p> <p>in Warsaw, on 22.10.2021</p> <p><i>Place and date of issue</i></p>	<p><i>R&amp;D and Quality control manager</i></p> <p>SYSTEM 3E S.A.          ul. Pando DNZ 1, 01-001 Warszawa          KRS: 000067344, REGON: 141792755          NIP: 525-250-10-50</p> <p><i>dr Patryk Bólimowski</i>  <i>Name and position, signature</i></p>
---	---


# Declaration of Performance

S3E EKO+/ENP/II/01/21

1. Unique identification code of the product-type:		<b>Masonry element from aggregate concrete (with lightweight aggregates) in SYSTEM 3E EKO+ technology, category I. Type: ENP</b>	
2. Intended use/es:		For masonry walls, columns and partitions	
3. Manufacturer:		<b>SYSTEM 3E S.A.</b> Rondo ONZ 1, 00-124 Warszawa	
4. System/s of AVCP:		<b>System 2+</b>	
5. Harmonised standard: Notified body/ies:		<b>EN 771-3:2011+A1:2015</b> Instytut Materiałów Budowlanych i Technologii Betonu Sp. z o.o., notification nr. 2311	
6. Declared performance/s:			
<b>Essential characteristics</b>		<b>Performance</b>	
Dimensions and deviations from dimensions	Dimensions	length (A)	704 mm
		height (B)	300 mm
		width (C)	352 mm
	Deviations	D4	
Shape	 <p style="text-align: center;">Area of recesses does not exceed 20% of the elements total volume</p>		
Compressive strength		≥ 1,5 N/mm <sup>2</sup> Cat I	
Dimension stability		≤ 0,30 mm/m	
Strength of joint	shear	NPD	
	bending	NPD	
Resistance to fire		A1	
Water absorption		after 10 min:      ≤ 40 g/m <sup>2</sup> * s <sup>0,5</sup>	
Water vapour permeability		μ ≤ 15	

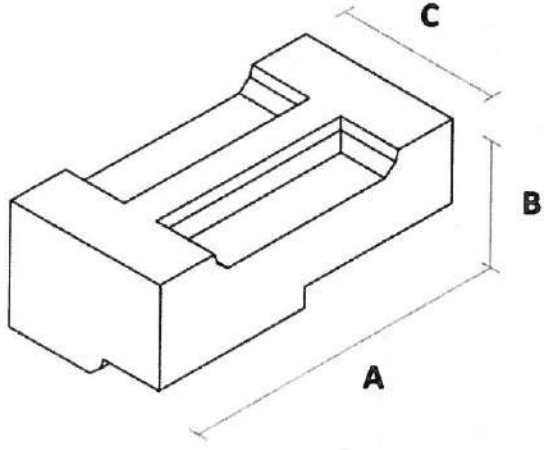
Airborne sound insulation	Gross dry density	310±10% kg/m <sup>3</sup>
	Shape	
Thermal resistance	Thermal transmittance	$\lambda = 0,072 \pm 0,003 \text{ W}/(\text{m} \cdot \text{K})$
Freeze/thaw durability	Do not expose to the outdoors	
Hazardous substances	NPD	

The performance of the product identified above is in conformity with the set of declared performance characteristics. This declaration of performance is issued in accordance with Regulation (EU) No 305/2011 under the sole responsibility of the manufacturer identified above.

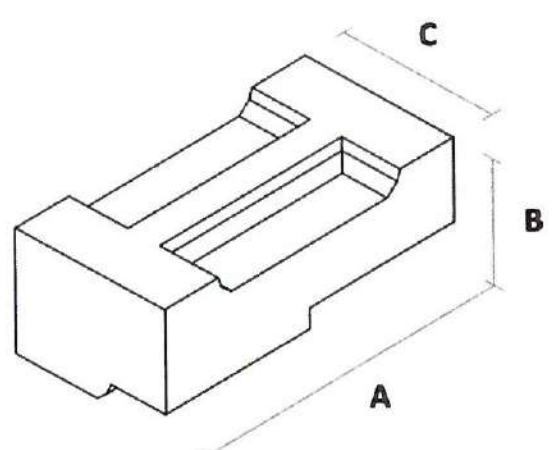
<p>On behalf of the manufacturer signed:</p> <p>in Warsaw, on 22.10.2021</p> <p>Place and date of issue</p>	<p>R&amp;D and Quality control manager</p> <p>SYSTEM 36 S.A.</p> <p>ul. Rondel ONZ 1, 00-107 Warszawa</p> <p>KPS: 0000687344, REGON: 14667662358</p> <p>NIP: 522-309-64-000</p> <p>dr Patryk Bolimowski</p> <p>Name and position, signature</p> 
---	--

# Declaration of Performance

S3E EKO+/ENL/I/01/21

1. Unique identification code of the product-type:	<b>Masonry element from aggregate concrete (with lightweight aggregates) in SYSTEM 3E EKO+ technology, category I. Type: ENL</b>		
2. Intended use/es:	For masonry walls, columns and partitions		
3. Manufacturer:	SYSTEM 3E S.A. Rondo ONZ 1, 00-124 Warszawa		
4. System/s of AVCP:	System 2+		
5. Harmonised standard: Notified body/ies:	EN 771-3:2011+A1:2015 Instytut Materiałów Budowlanych i Technologii Betonu Sp. z o.o., notification nr. 2311		
6. Declared performance/s:			
<b>Essential characteristics</b>		<b>Performance</b>	
Dimensions and deviations from dimensions	Dimensions	length (A)	704 mm
		height (B)	300 mm
		width (C)	352 mm
	Deviations	D4	
Shape	 <p>Area of recesses does not exceed 20% of the elements total volume</p>		
Compressive strength	≥ 1,5 N/mm <sup>2</sup>		Cat I
Dimension stability	≤ 0,30 mm/m		
Strength of joint	shear	NPD	
	bending	NPD	
Resistance to fire	A1		
Water absorption	after 10 min:	≤ 40 g/m <sup>2</sup> * s <sup>0,5</sup>	



Water vapour permeability		$\mu \leq 15$
Airborne sound insulation	Gross dry density	$310 \pm 10\% \text{ kg/m}^3$
	Shape	
Thermal resistance	Thermal transmittance	$\lambda = 0,072 \pm 0,003 \text{ W/(m}^2\text{K)}$
Freeze/thaw durability	Do not expose to the outdoors	
Hazardous substances	NPD	

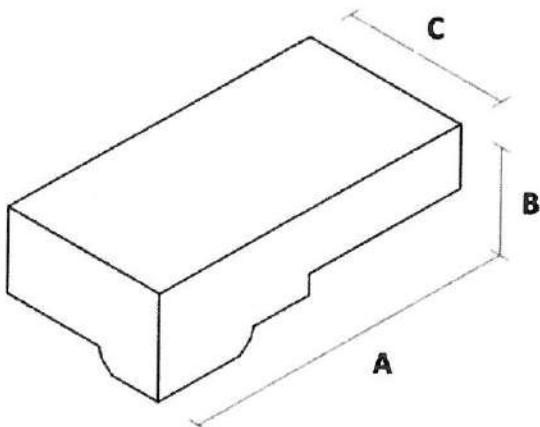
The performance of the product identified above is in conformity with the set of declared performance characteristics. This declaration of performance is issued in accordance with Regulation (EU) No 305/2011 under the sole responsibility of the manufacturer identified above.

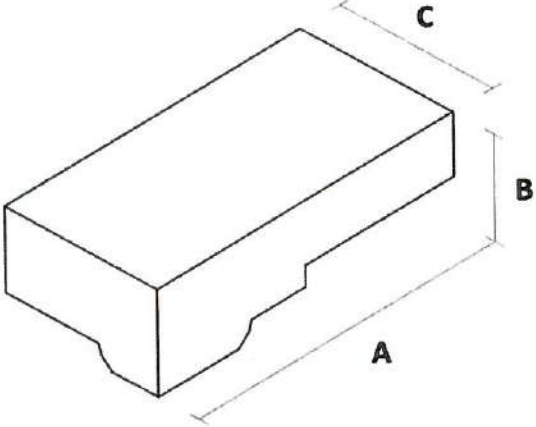
<p>On behalf of the manufacturer signed:</p> <p>in Warsaw, on 22.10.2021</p> <p>Place and date of issue</p>	<p>R&amp;D and Quality control manager</p> <p><i>Patryk Bolimowski</i></p> <p>SYSTEM 3E S.A.          ul. Rondo ONZ 1-00-124 Warszawa          KRS: 0000687344, REGON: 14078623EE          NIP: 525-710-74-76</p> <p>dr Patryk Bolimowski          Name and position, signature</p>
---	---




# Declaration of Performance

S3E EKO+/EWNP//01/21

1. Unique identification code of the product-type:	<b>Masonry element from aggregate concrete (with lightweight aggregates) in SYSTEM 3E EKO+ technology, category I. Type: EWNP</b>		
2. Intended use/es:	For masonry walls, columns and partitions		
3. Manufacturer:	<b>SYSTEM 3E S.A.</b> Rondo ONZ 1, 00-124 Warszawa		
4. System/s of AVCP:	<b>System 2+</b>		
5. Harmonised standard: Notified body/ies:	<b>EN 771-3:2011+A1:2015</b> Instytut Materiałów Budowlanych i Technologii Betonu Sp. z o.o., notification nr. 2311		
6. Declared performance/s:			
<b>Essential characteristics</b>		<b>Performance</b>	
Dimensions and deviations from dimensions	Dimensions	length (A)	704 mm
		height (B)	250 mm
		width (C)	352 mm
	Deviations	D4	
Shape	 <p style="text-align: center;">Area of recesses does not exceed 20% of the elements total volume</p>		
Compressive strength			$\geq 1,5 \text{ N/mm}^2$ Cat I
Dimension stability			$\leq 0,30 \text{ mm/m}$
Strength of joint	shear	NPD	
	bending	NPD	
Resistance to fire			A1
Water absorption	after 10 min:	$\leq 40 \text{ g/m}^2 * s^{0,5}$	
Water vapour permeability			$\mu \leq 15$

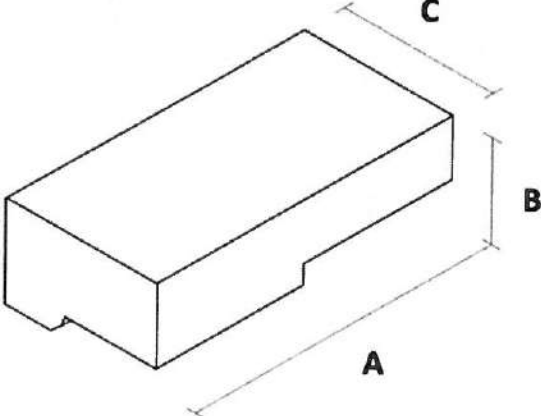
Airborne sound insulation	Gross dry density	310±10% kg/m <sup>3</sup>
	Shape	
Thermal resistance	Thermal transmittance	$\lambda = 0,072 \pm 0,003 \text{ W}/(\text{m}^2 \cdot \text{K})$
Freeze/thaw durability	Do not expose to the outdoors	
Hazardous substances	NPD	

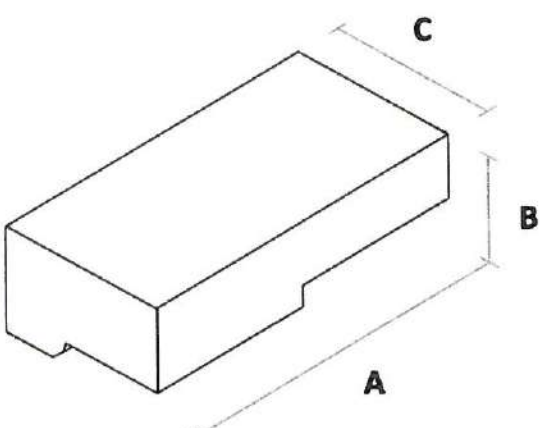
The performance of the product identified above is in conformity with the set of declared performance characteristics. This declaration of performance is issued in accordance with Regulation (EU) No 305/2011 under the sole responsibility of the manufacturer identified above.

<p>On behalf of the manufacturer signed:</p> <p>in Warsaw, on 22.10.2021</p> <p>Place and date of issue</p>	<p>R&amp;D and Quality control manager</p>  <p>dr Patryk Bolimowski Name and position, signature</p>
---	--

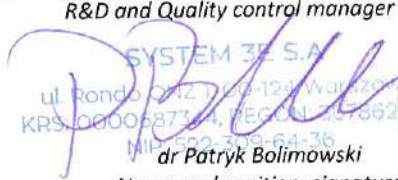
# Declaration of Performance

S3E EKO+/EWNL/I/01/21

1. Unique identification code of the product-type:	<b>Masonry element from aggregate concrete (with lightweight aggregates) in SYSTEM 3E EKO+ technology, category I. Type: EWNL</b>		
2. Intended use/es:	For masonry walls, columns and partitions		
3. Manufacturer:	<b>SYSTEM 3E S.A.</b> Rondo ONZ 1, 00-124 Warszawa		
4. System/s of AVCP:	<b>System 2+</b>		
5. Harmonised standard: Notified body/ies:	<b>EN 771-3:2011+A1:2015</b> Instytut Materiałów Budowlanych i Technologii Betonu Sp. z o.o., notification nr. 2311		
6. Declared performance/s:			
<b>Essential characteristics</b>		<b>Performance</b>	
Dimensions and deviations from dimensions	Dimensions	length (A)	704 mm
		height (B)	250 mm
		width (C)	352 mm
	Deviations	D4	
Shape	 <p style="text-align: center;">Area of recesses does not exceed 20% of the elements total volume</p>		
Compressive strength	≥ 1,5 N/mm <sup>2</sup> Cat I		
Dimension stability	≤ 0,30 mm/m		
Strength of joint	shear	NPD	
	bending	NPD	
Resistance to fire	A1		
Water absorption	after 10 min: ≤ 40 g/m <sup>2</sup> * s <sup>0,5</sup>		

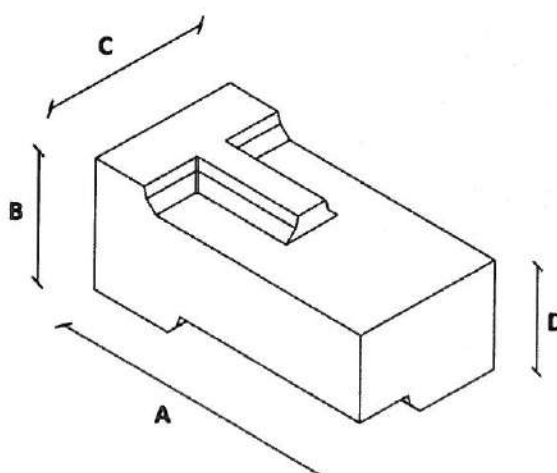
Water vapour permeability		$\mu \leq 15$
Airborne sound insulation	Gross dry density	$310 \pm 10\% \text{ kg/m}^3$
	Shape	
Thermal resistance	Thermal transmittance	$\lambda = 0,072 \pm 0,003 \text{ W/(m}^2\text{K)}$
Freeze/thaw durability	Do not expose to the outdoors	
Hazardous substances	NPD	

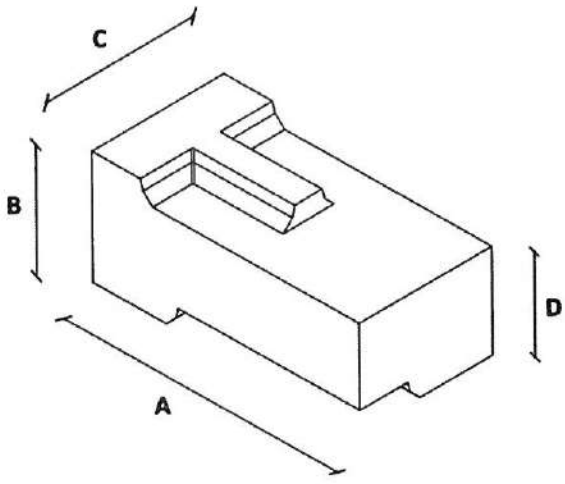
The performance of the product identified above is in conformity with the set of declared performance characteristics. This declaration of performance is issued in accordance with Regulation (EU) No 305/2011 under the sole responsibility of the manufacturer identified above.

<p>On behalf of the manufacturer signed:</p> <p>in Warsaw, on 22.10.2021</p> <p>Place and date of issue</p>	<p>R&amp;D and Quality control manager</p>  <p>SYSTEM 35 S.A. ul. Rondo 042 042-129, Warszawa KRS 0000587324, REGON 147662356 MIP 500 319 64 36 dr Patryk Bolimowski Name and position, signature</p>
---	---

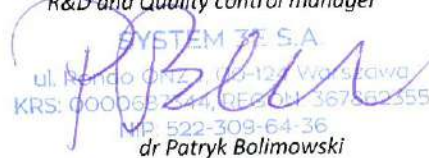
# Declaration of Performance

S3E EKO+/EO.2 PT//01/21

1. Unique identification code of the product-type:		<b>Masonry element from aggregate concrete (with lightweight aggregates) in SYSTEM 3E EKO+ technology, category I. Type: EO/2 PT</b>	
2. Intended use/es:		For masonry walls, columns and partitions	
3. Manufacturer:		<b>SYSTEM 3E S.A.</b> Rondo ONZ 1, 00-124 Warszawa	
4. System/s of AVCP:		<b>System 2+</b>	
5. Harmonised standard: Notified body/ies:		<b>EN 771-3:2011+A1:2015</b> Instytut Materiałów Budowlanych i Technologii Betonu Sp. z o.o., notification nr. 2311	
6. Declared performance/s:			
<b>Essential characteristics</b>		<b>Performance</b>	
Dimensions and deviations from dimensions	Dimensions	length (A)	704 mm
		height (B, D)	300 mm, 250 mm
	Deviations	width (C)	352 mm
			D4
Shape	 <p style="text-align: center;">Area of recesses does not exceed 20% of the elements total volume</p>		
Compressive strength		$\geq 1,5 \text{ N/mm}^2$ Cat I	
Dimension stability		$\leq 0,30 \text{ mm/m}$	
Strength of joint	shear	NPD	
	bending	NPD	
Resistance to fire		A1	
Water absorption		after 10 min: $\leq 40 \text{ g/m}^2 * s^{0,5}$	

Water vapour permeability		$\mu \leq 15$
Airborne sound insulation	Gross dry density	$310 \pm 10\% \text{ kg/m}^3$
	Shape	
Thermal resistance	Thermal transmittance	$\lambda = 0,072 \pm 0,003 \text{ W/(m}^2\text{K)}$
Freeze/thaw durability		Do not expose to the outdoors
Hazardous substances		NPD

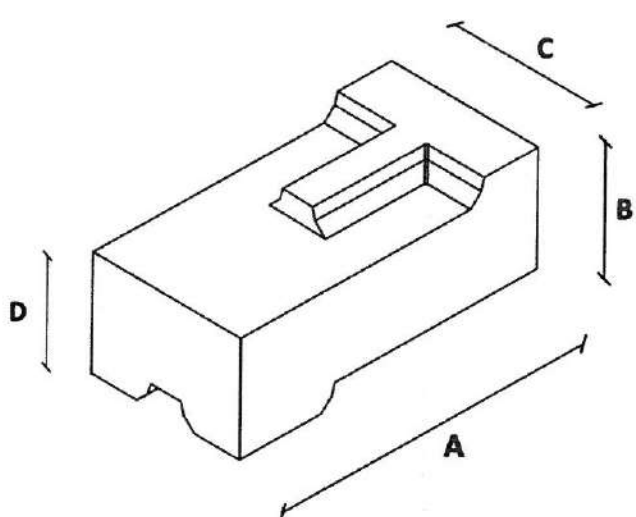
The performance of the product identified above is in conformity with the set of declared performance characteristics. This declaration of performance is issued in accordance with Regulation (EU) No 305/2011 under the sole responsibility of the manufacturer identified above.

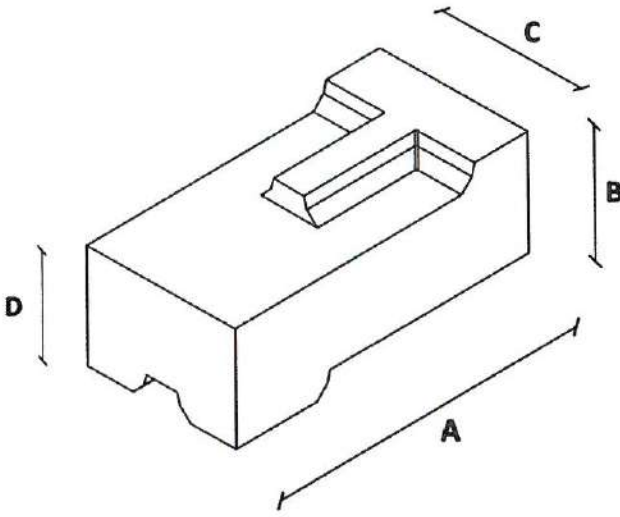
<p>On behalf of the manufacturer signed:</p> <p>in Warsaw, on 31.01.2022</p> <p>Place and date of issue</p>	<p>R&amp;D and Quality control manager</p> <p>SYSTEM 32 S.A.</p> <p>ul. Remigio ONZ 113-121, Wroclaw</p> <p>KRS: 000063244, REGON: 367562355</p> <p>NIP: 522-309-64-36</p> <p>dr Patryk Bolimowski</p> <p>Name and position, signature</p> 
---	---



# Declaration of Performance

S3E EKO+/EO.2 PP/II/01/21

1. Unique identification code of the product-type:	<b>Masonry element from aggregate concrete (with lightweight aggregates) in SYSTEM 3E EKO+ technology, category I. Type: EO/2 PP</b>		
2. Intended use/es:	For masonry walls, columns and partitions		
3. Manufacturer:	<b>SYSTEM 3E S.A.</b> Rondo ONZ 1, 00-124 Warszawa		
4. System/s of AVCP:	<b>System 2+</b>		
5. Harmonised standard: Notified body/ies:	<b>EN 771-3:2011+A1:2015</b> Instytut Materiałów Budowlanych i Technologii Betonu Sp. z o.o., notification nr. 2311		
6. Declared performance/s:			
<b>Essential characteristics</b>		<b>Performance</b>	
Dimensions and deviations from dimensions	Dimensions	length (A)	704 mm
		height (B, D)	300 mm, 250 mm
	Deviations	width (C)	352 mm
			D4
Shape	 <p>Area of recesses does not exceed 20% of the elements total volume</p>		
Compressive strength	≥ 1,5 N/mm <sup>2</sup> Cat I		
Dimension stability	≤ 0,30 mm/m		
Strength of joint	shear	NPD	
	bending	NPD	
Resistance to fire	A1		
Water absorption	after 10 min:      ≤ 40 g/m <sup>2</sup> * s <sup>0,5</sup>		

Water vapour permeability		$\mu \leq 15$
Airborne sound insulation	Gross dry density	$310 \pm 10\% \text{ kg/m}^3$
	Shape	
Thermal resistance	Thermal transmittance	$\lambda = 0,072 \pm 0,003 \text{ W/(m}^2\text{K)}$
Freeze/thaw durability	Do not expose to the outdoors	
Hazardous substances	NPD	

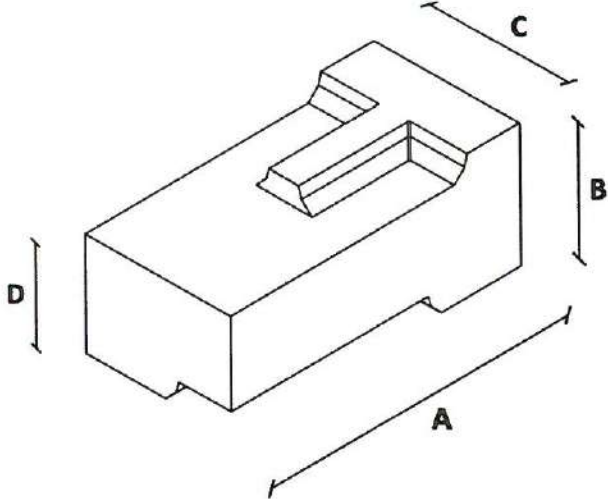
The performance of the product identified above is in conformity with the set of declared performance characteristics. This declaration of performance is issued in accordance with Regulation (EU) No 305/2011 under the sole responsibility of the manufacturer identified above.

<p>On behalf of the manufacturer signed:</p> <p>in Warsaw, on 31.01.2022</p> <p>Place and date of issue</p>	<p>R&amp;D and Quality control manager</p> <p>SYSTEM 3E S.A.</p> <p>ul. Ponds 5 01231, 00-124 Warszawa</p> <p>KRS: 0000587344 REGON: 14367862355</p> <p>NIP: 522-309-64-36</p> <p>dr Patryk Bolimowski</p> <p>Name and position, signature</p>
---	--

# Declaration of Performance

S3E EKO+/EO.2 LT//01/21

1. Unique identification code of the product-type:		<b>Masonry element from aggregate concrete (with lightweight aggregates) in SYSTEM 3E EKO+ technology, category I. Type: EO/2 LT</b>	
2. Intended use/es:		For masonry walls, columns and partitions	
3. Manufacturer:		<b>SYSTEM 3E S.A.</b> Rondo ONZ 1, 00-124 Warszawa	
4. System/s of AVCP:		<b>System 2+</b>	
5. Harmonised standard: Notified body/ies:		<b>EN 771-3:2011+A1:2015</b> Instytut Materiałów Budowlanych i Technologii Betonu Sp. z o.o., notification nr. 2311	
6. Declared performance/s:			
<b>Essential characteristics</b>		<b>Performance</b>	
Dimensions and deviations from dimensions	Dimensions	length (A)	704 mm
		height (B, D)	300 mm, 250 mm
	Deviations	width (C)	352 mm
			D4
Shape	<p style="text-align: center;">Area of recesses does not exceed 20% of the elements total volume</p>		
Compressive strength		$\geq 1,5 \text{ N/mm}^2$	Cat I
Dimension stability		$\leq 0,30 \text{ mm/m}$	
Strength of joint	shear	NPD	
	bending	NPD	
Resistance to fire		A1	
Water absorption		after 10 min:	$\leq 40 \text{ g/m}^2 * s^{0,5}$
Water vapour permeability		$\mu \leq 15$	

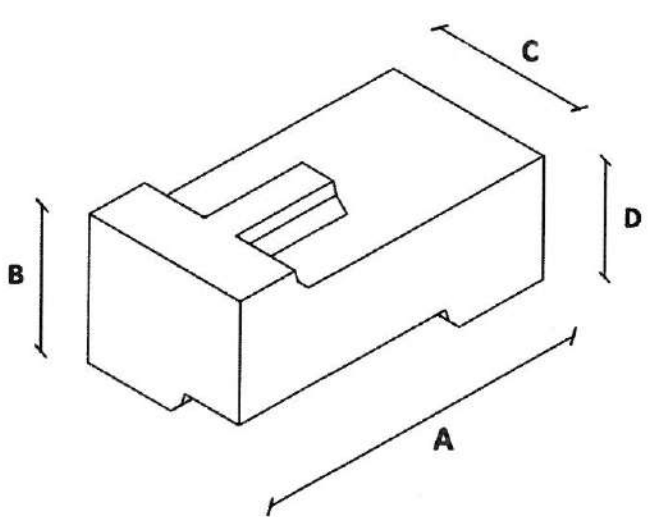
Airborne sound insulation	Gross dry density	310±10% kg/m <sup>3</sup>
	Shape	
Thermal resistance	Thermal transmittance	$\lambda = 0,072 \pm 0,003 \text{ W}/(\text{m}^2 \cdot \text{K})$
Freeze/thaw durability	Do not expose to the outdoors	
Hazardous substances	NPD	

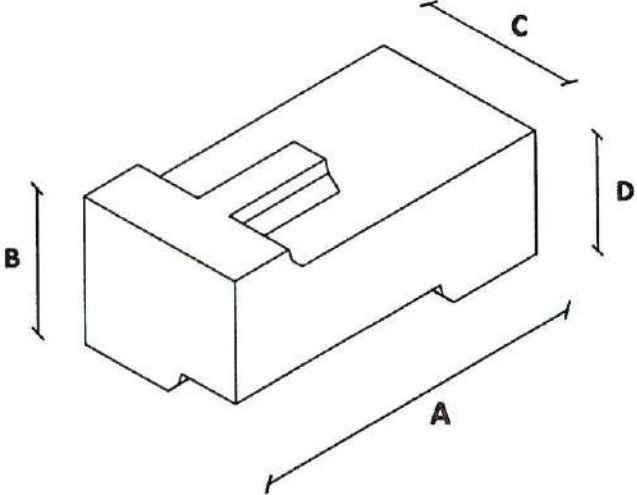
*The performance of the product identified above is in conformity with the set of declared performance characteristics. This declaration of performance is issued in accordance with Regulation (EU) No 305/2011 under the sole responsibility of the manufacturer identified above.*

<p><i>On behalf of the manufacturer signed:</i></p> <p>in Warsaw, on 31.01.2022</p> <p><i>Place and date of issue</i></p>	<p><i>R&amp;D and Quality control manager</i></p> <p>SYSTEM 3E SA          ul. Romów 1, 00-121 Warszawa          KRS: 0000687324 REGON: 142786235E          NIP: 522-309-64-36  <i>dr Patryk Bolimowski</i>  <i>Name and position, signature</i></p>
---	--


# Declaration of Performance

S3E EKO+/EO.2 LP/II/01/21

1. Unique identification code of the product-type:	<b>Masonry element from aggregate concrete (with lightweight aggregates) in SYSTEM 3E EKO+ technology, category I. Type: EO/2 LP</b>		
2. Intended use/es:	For masonry walls, columns and partitions		
3. Manufacturer:	SYSTEM 3E S.A. Rondo ONZ 1, 00-124 Warszawa		
4. System/s of AVCP:	System 2+		
5. Harmonised standard: Notified body/ies:	EN 771-3:2011+A1:2015 Instytut Materiałów Budowlanych i Technologii Betonu Sp. z o.o., notification nr. 2311		
6. Declared performance/s:			
<b>Essential characteristics</b>		<b>Performance</b>	
Dimensions and deviations from dimensions	Dimensions	length (A)	704 mm
		height (B, D)	300 mm, 250 mm
	Deviations	width (C)	352 mm
			D4
Shape	 <p>Area of recesses does not exceed 20% of the elements total volume</p>		
Compressive strength	≥ 1,5 N/mm <sup>2</sup>		Cat I
Dimension stability	≤ 0,30 mm/m		
Strength of joint	shear	NPD	
	bending	NPD	
Resistance to fire	A1		
Water absorption	after 10 min:	≤ 40 g/m <sup>2</sup> * s <sup>0,5</sup>	

Water vapour permeability		$\mu \leq 15$
Airborne sound insulation	Gross dry density	$310 \pm 10\% \text{ kg/m}^3$
	Shape	
Thermal resistance	Thermal transmittance	$\lambda = 0,072 \pm 0,003 \text{ W/(m}^2\text{K)}$
Freeze/thaw durability	Do not expose to the outdoors	
Hazardous substances	NPD	

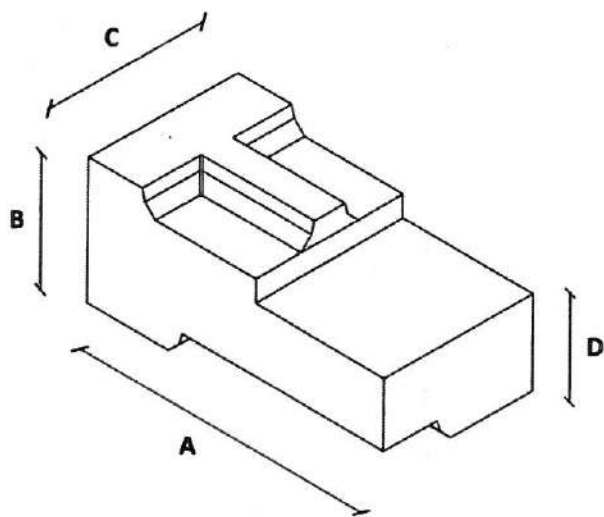
The performance of the product identified above is in conformity with the set of declared performance characteristics. This declaration of performance is issued in accordance with Regulation (EU) No 305/2011 under the sole responsibility of the manufacturer identified above.

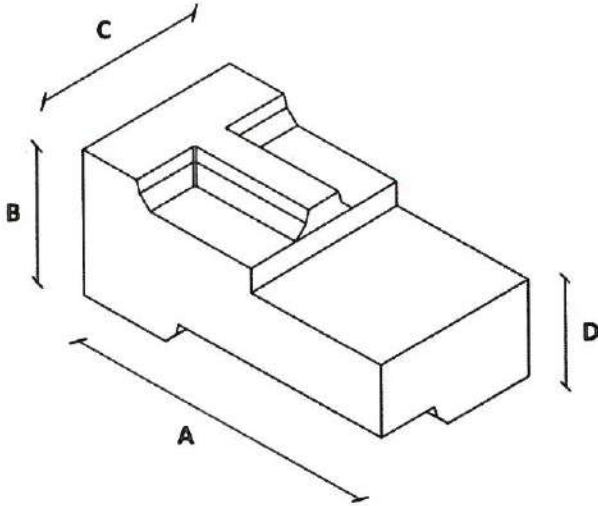
<p>On behalf of the manufacturer signed:</p> <p>in Warsaw, on 31.01.2022</p> <p>Place and date of issue</p>	<p>R&amp;D and Quality control manager</p>  <p>SYSTEM 3E S.A.  ul. Rondo DN2 1, 00-244 Warszawa  KRS: 000087341, REGON: 1467862355  NIP: 522 309 64 36  dr Patryk Bolimowski  Name and position, signature</p>
---	--



# Declaration of Performance

S3E EKO+/EO.2 PT 200//01/21

1. Unique identification code of the product-type:	<b>Masonry element from aggregate concrete (with lightweight aggregates) in SYSTEM 3E EKO+ technology, category I. Type: EO/2 PT 200</b>		
2. Intended use/es:	For masonry walls, columns and partitions		
3. Manufacturer:	<b>SYSTEM 3E S.A.</b> Rondo ONZ 1, 00-124 Warszawa		
4. System/s of AVCP:	<b>System 2+</b>		
5. Harmonised standard: Notified body/ies:	<b>EN 771-3:2011+A1:2015</b> Instytut Materiałów Budowlanych i Technologii Betonu Sp. z o.o., notification nr. 2311		
6. Declared performance/s:			
<b>Essential characteristics</b>		<b>Performance</b>	
Dimensions and deviations from dimensions	Dimensions	length (A)	704 mm
		height (B, D)	300 mm, 200 mm
	Deviations	width (C)	352 mm
			D4
Shape	 <p>Area of recesses does not exceed 20% of the elements total volume</p>		
Compressive strength	≥ 1,5 N/mm <sup>2</sup>		Cat I
Dimension stability	≤ 0,30 mm/m		
Strength of joint	shear	NPD	
	bending	NPD	
Resistance to fire	A1		
Water absorption	after 10 min:	≤ 40 g/m <sup>2</sup> * s <sup>0,5</sup>	

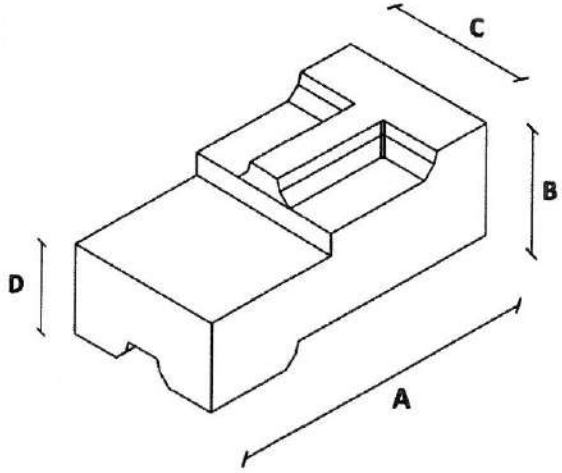
Water vapour permeability		$\mu \leq 15$
Airborne sound insulation	Gross dry density	$310 \pm 10\% \text{ kg/m}^3$
	Shape	
Thermal resistance	Thermal transmittance	$\lambda = 0,072 \pm 0,003 \text{ W/(m}^2\text{K)}$
Freeze/thaw durability	Do not expose to the outdoors	
Hazardous substances	NPD	

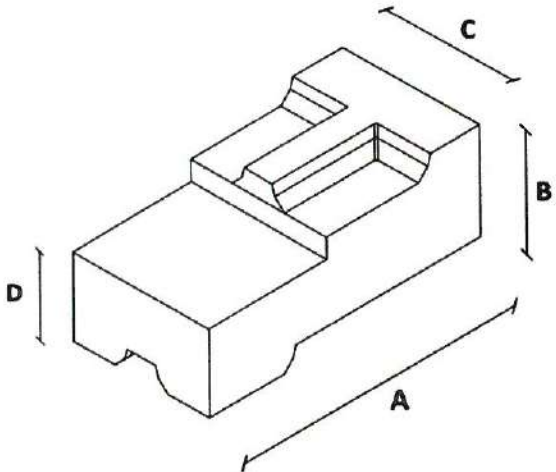
The performance of the product identified above is in conformity with the set of declared performance characteristics. This declaration of performance is issued in accordance with Regulation (EU) No 305/2011 under the sole responsibility of the manufacturer identified above.

<p>On behalf of the manufacturer signed:</p> <p>in Warsaw, on 31.01.2022</p> <p>Place and date of issue</p>	<p>R&amp;D and Quality control manager</p> <p>SYSTEM 3F S.A.          ul. Ponds 012 1 50-127 Warszawa          KRS: 000083734 REGON: 367862355          NIP: 522-309-64-36</p> <p><i>dr Patryk Bolimowski</i>          Name and position, signature</p>
---	---

# Declaration of Performance

S3E EKO+/EO.2 PP 200/II/01/21

1. <i>Unique identification code of the product-type:</i>		<b>Masonry element from aggregate concrete (with lightweight aggregates) in SYSTEM 3E EKO+ technology, category I. Type: EO/2 PP 200</b>	
2. <i>Intended use/es:</i>		For masonry walls, columns and partitions	
3. <i>Manufacturer:</i>		<b>SYSTEM 3E S.A.</b> Rondo ONZ 1, 00-124 Warszawa	
4. <i>System/s of AVCP:</i>		<b>System 2+</b>	
5. <i>Harmonised standard:</i> <i>Notified body/ies:</i>		<b>EN 771-3:2011+A1:2015</b> Instytut Materiałów Budowlanych i Technologii Betonu Sp. z o.o., notification nr. 2311	
6. <i>Declared performance/s:</i>			
<b>Essential characteristics</b>		<b>Performance</b>	
Dimensions and deviations from dimensions	Dimensions	length (A)	704 mm
		height (B, D)	300 mm, 200 mm
	Deviations	width (C)	352 mm
			D4
Shape	 <p>Area of recesses does not exceed 20% of the elements total volume</p>		
Compressive strength		$\geq 1,5 \text{ N/mm}^2$	Cat I
Dimension stability		$\leq 0,30 \text{ mm/m}$	
Strength of joint	shear	NPD	
	bending	NPD	
Resistance to fire		A1	
Water absorption		after 10 min:	$\leq 40 \text{ g/m}^2 * s^{0,5}$
Water vapour permeability		$\mu \leq 15$	

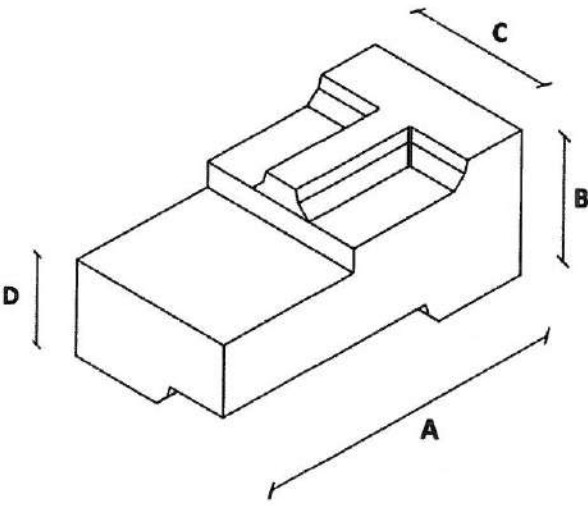
Airborne sound insulation	Gross dry density	310±10% kg/m <sup>3</sup>
	Shape	
Thermal resistance	Thermal transmittance	$\lambda = 0,072 \pm 0,003 \text{ W/(m}^2\text{K)}$
Freeze/thaw durability	Do not expose to the outdoors	
Hazardous substances	NPD	

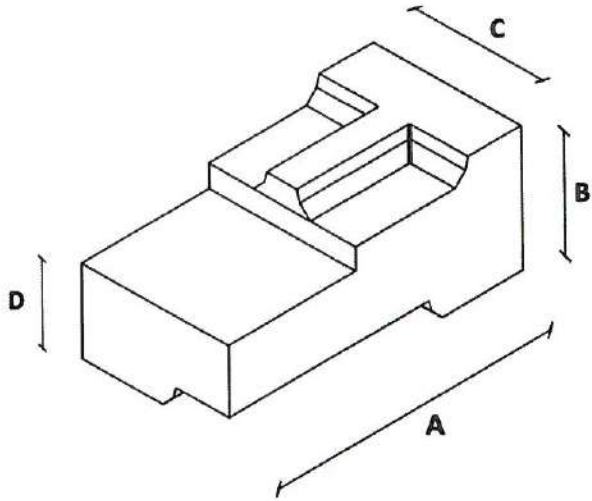
The performance of the product identified above is in conformity with the set of declared performance characteristics. This declaration of performance is issued in accordance with Regulation (EU) No 305/2011 under the sole responsibility of the manufacturer identified above.

<p>On behalf of the manufacturer signed:</p> <p>in Warsaw, on 31.01.2022</p> <p>Place and date of issue</p>	<p>R&amp;D and Quality control manager</p> <p><i>Patryk Bolimowski</i></p> <p>SYSTEM 3E SA          ul. Ronda ONZ 1, 00-101 Warszawa          KRS: 0000587331, REGON: 1467352355          NIP: 522-309-64-36</p> <p>dr Patryk Bolimowski          Name and position, signature</p>
---	--

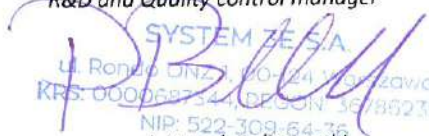
# Declaration of Performance

S3E EKO+/EO.2 LT 200/II/01/21

1. Unique identification code of the product-type:	<b>Masonry element from aggregate concrete (with lightweight aggregates) in SYSTEM 3E EKO+ technology, category I. Type: EO/2 LT 200</b>		
2. Intended use/es:	For masonry walls, columns and partitions		
3. Manufacturer:	<b>SYSTEM 3E S.A.</b> Rondo ONZ 1, 00-124 Warszawa		
4. System/s of AVCP:	<b>System 2+</b>		
5. Harmonised standard: Notified body/ies:	<b>EN 771-3:2011+A1:2015</b> Instytut Materiałów Budowlanych i Technologii Betonu Sp. z o.o., notification nr. 2311		
6. Declared performance/s:			
<b>Essential characteristics</b>		<b>Performance</b>	
Dimensions and deviations from dimensions	Dimensions	length (A)	704 mm
		height (B, D)	300 mm, 200 mm
	Deviations	width (C)	352 mm
			D4
Shape	 <p style="text-align: center;">Area of recesses does not exceed 20% of the elements total volume</p>		
Compressive strength		$\geq 1,5 \text{ N/mm}^2$	Cat I
Dimension stability		$\leq 0,30 \text{ mm/m}$	
Strength of joint	shear	NPD	
	bending	NPD	
Resistance to fire		A1	
Water absorption		after 10 min:	$\leq 40 \text{ g/m}^2 * s^{0,5}$

Water vapour permeability		$\mu \leq 15$
Airborne sound insulation	Gross dry density	$310 \pm 10\% \text{ kg/m}^3$
	Shape	
Thermal resistance	Thermal transmittance	$\lambda = 0,072 \pm 0,003 \text{ W/(m}^2\text{K)}$
Freeze/thaw durability	Do not expose to the outdoors	
Hazardous substances	NPD	

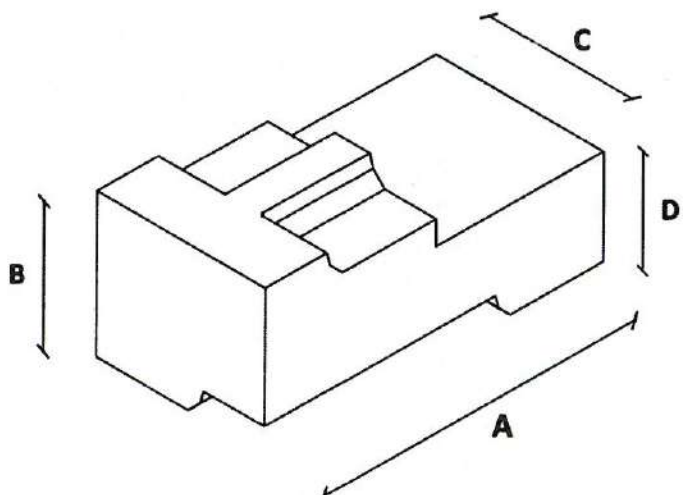
The performance of the product identified above is in conformity with the set of declared performance characteristics. This declaration of performance is issued in accordance with Regulation (EU) No 305/2011 under the sole responsibility of the manufacturer identified above.

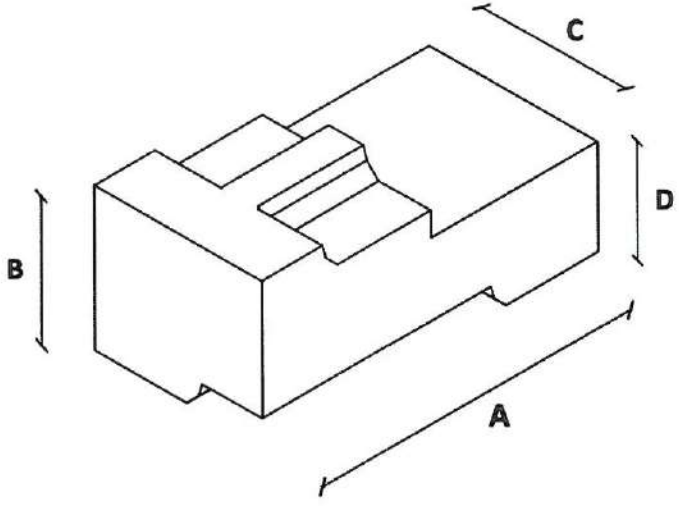
<p>On behalf of the manufacturer signed:</p> <p>in Warsaw, on 31.01.2022</p> <p>Place and date of issue</p>	<p>R&amp;D and Quality control manager</p>  <p>SYSTEM ZE S.A. ul. Ronda ONZ 1, 00-241 Warszawa KRS: 0000687344, REGON: 147862355 NIP: 522-309-64-75 dr Patryk Bolimowski Name and position, signature</p>
---	---




# Declaration of Performance

S3E EKO+/EO.2 LP 200/II/01/21

1. Unique identification code of the product-type:		<b>Masonry element from aggregate concrete (with lightweight aggregates) in SYSTEM 3E EKO+ technology, category I. Type: EO/2 LP 200</b>	
2. Intended use/es:		For masonry walls, columns and partitions	
3. Manufacturer:		<b>SYSTEM 3E S.A.</b> Rondo ONZ 1, 00-124 Warszawa	
4. System/s of AVCP:		<b>System 2+</b>	
5. Harmonised standard: Notified body/ies:		<b>EN 771-3:2011+A1:2015</b> Instytut Materiałów Budowlanych i Technologii Betonu Sp. z o.o., notification nr. 2311	
6. Declared performance/s:			
<b>Essential characteristics</b>		<b>Performance</b>	
Dimensions and deviations from dimensions	Dimensions	length (A)	704 mm
		height (B, D)	300 mm, 200 mm
	Deviations	width (C)	352 mm
			D4
Shape	 <p>Area of recesses does not exceed 20% of the elements total volume</p>		
Compressive strength		≥ 1,5 N/mm <sup>2</sup> Cat I	
Dimension stability		≤ 0,30 mm/m	
Strength of joint	shear	NPD	
	bending	NPD	
Resistance to fire		A1	
Water absorption		after 10 min:      ≤ 40 g/m <sup>2</sup> * s <sup>0,5</sup>	

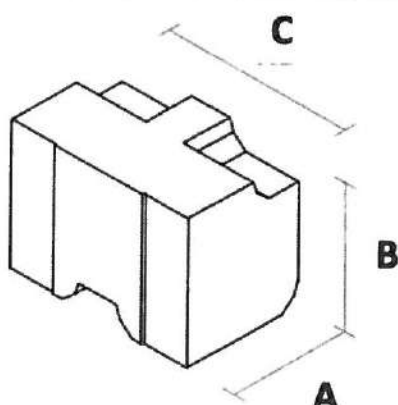
Water vapour permeability		$\mu \leq 15$
Airborne sound insulation	Gross dry density	$310 \pm 10\% \text{ kg/m}^3$
	Shape	
Thermal resistance	Thermal transmittance	$\lambda = 0,072 \pm 0,003 \text{ W/(m}^2\text{K)}$
Freeze/thaw durability	Do not expose to the outdoors	
Hazardous substances	NPD	

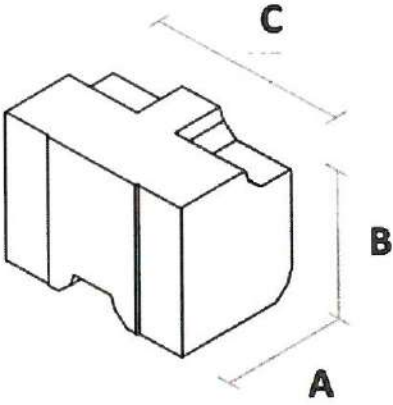
The performance of the product identified above is in conformity with the set of declared performance characteristics. This declaration of performance is issued in accordance with Regulation (EU) No 305/2011 under the sole responsibility of the manufacturer identified above.

<p>On behalf of the manufacturer signed:</p> <p>in Warsaw, on 31.01.2022</p> <p>Place and date of issue</p>	<p>R&amp;D and Quality control manager</p>  <p>SYSTEM 3E S.A. ul. Ronda 047.1.00-174, 01-100 Warszawa KRS: 0000587347, REGON: 146780285E NIP: 522-309-64-36 dr Patryk Bolimowski Name and position, signature</p>
---	---

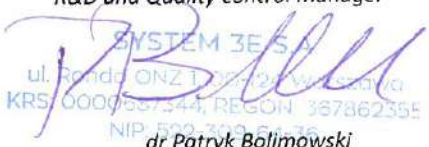
# Declaration of Performance

S3E EKO+/ST P/1/01/23

1. Unique identification code of the product-type:		<b>Masonry element from aggregate concrete (with lightweight aggregates) in SYSTEM 3E EKO+ technology, category I. Type: ST P</b>	
2. Intended use/es:		For masonry walls, columns and partitions	
3. Manufacturer:		SYSTEM 3E S.A. Rondo ONZ 1, 00-124 Warszawa	
4. System/s of AVCP:		System 2+	
5. Harmonised standard: Notified body/ies:		EN 771-3:2011+A1:2015 Instytut Materiałów Budowlanych i Technologii Betonu Sp. z o.o., notification nr. 2311	
6. Declared performance/s:			
<b>Essential characteristics</b>		<b>Performance</b>	
Dimensions and deviations from dimensions	Dimensions	length (A)	225 mm
		height (B)	300 mm
		width (C)	352 mm
	Deviations	D4	
Shape	 <p>Area of recesses does not exceed 20% of the elements total volume</p>		
Compressive strength		≥ 1,5 N/mm <sup>2</sup> Cat I	
Dimension stability		≤ 0,30 mm/m	
Strength of joint	shear	NPD	
	bending	NPD	
Resistance to fire		A1	
Water absorption		after 10 min: ≤ 40 g/m <sup>2</sup> * s <sup>0,5</sup>	
Water vapour permeability		μ ≤ 15	
Airborne sound insulation	Gross dry density	310±10% kg/m <sup>3</sup>	

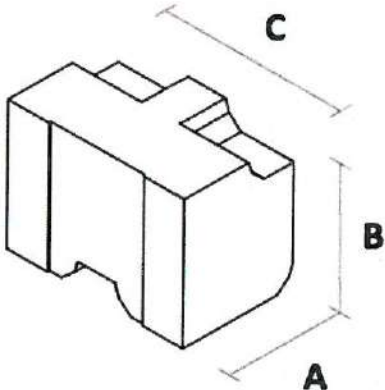
	Shape	
Thermal resistance	Thermal transmittance	$\lambda = 0,072 \pm 0,003 \text{ W}/(\text{m}^*\text{K})$
Freeze/thaw durability	Do not expose to the outdoors	
Hazardous substances	NPD	

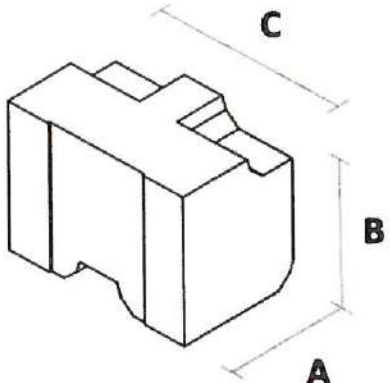
*The performance of the product identified above is in conformity with the set of declared performance characteristics. This declaration of performance is issued in accordance with Regulation (EU) No 305/2011 under the sole responsibility of the manufacturer identified above.*

<p><i>On behalf of the manufacturer signed:</i></p> <p>in Warsaw, on 01.03.2023</p> <p><i>Place and date of issue</i></p>	<p><i>R&amp;D and Quality control manager</i></p>  <p>SYSTEM 3E S.A. ul. Ronda ONZ 1, 01-247 Warszawa KRS: 0000667544; REGON: 367862355 NIP: 522 709 61 36</p> <p><i>dr Patryk Bolimowski</i> <i>Name and position, signature</i></p>
---	--


# Declaration of Performance

S3E EKO+/ST W/01/23

1. Unique identification code of the product-type:		<b>Masonry element from aggregate concrete (with lightweight aggregates) in SYSTEM 3E EKO+ technology, category I. Type: ST W</b>	
2. Intended use/es:		For masonry walls, columns and partitions	
3. Manufacturer:		<b>SYSTEM 3E S.A.</b> Rondo ONZ 1, 00-124 Warszawa	
4. System/s of AVCP:		<b>System 2+</b>	
5. Harmonised standard: Notified body/ies:		<b>EN 771-3:2011+A1:2015</b> Instytut Materiałów Budowlanych i Technologii Betonu Sp. z o.o., notification nr. 2311	
6. Declared performance/s:			
<b>Essential characteristics</b>		<b>Performance</b>	
Dimensions and deviations from dimensions	Dimensions	length (A)	225 mm
		height (B)	300 mm
	Deviations	width (C)	352 mm
Shape		 <p style="text-align: center;">Area of recesses does not exceed 20% of the elements total volume</p>	
Compressive strength		≥ 1,5 N/mm <sup>2</sup> Cat I	
Dimension stability		≤ 0,30 mm/m	
Strength of joint	shear	NPD	
	bending	NPD	
Resistance to fire		A1	
Water absorption		after 10 min: ≤ 40 g/m <sup>2</sup> * s <sup>0,5</sup>	
Water vapour permeability		μ ≤ 15	

Airborne sound insulation	Gross dry density	310±10% kg/m <sup>3</sup>
	Shape	
Thermal resistance	Thermal transmittance	$\lambda = 0,072 \pm 0,003 \text{ W}/(\text{m} \cdot \text{K})$
Freeze/thaw durability	Do not expose to the outdoors	
Hazardous substances	NPD	

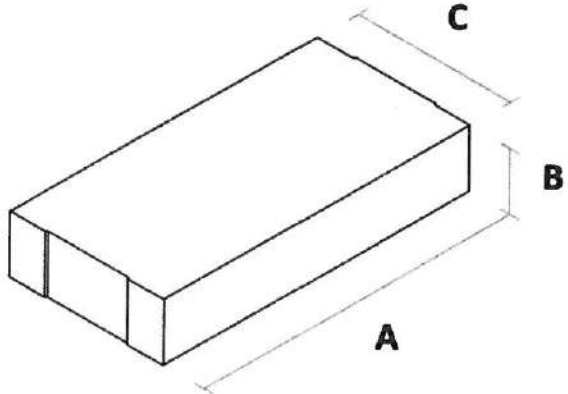
*The performance of the product identified above is in conformity with the set of declared performance characteristics. This declaration of performance is issued in accordance with Regulation (EU) No 305/2011 under the sole responsibility of the manufacturer identified above.*

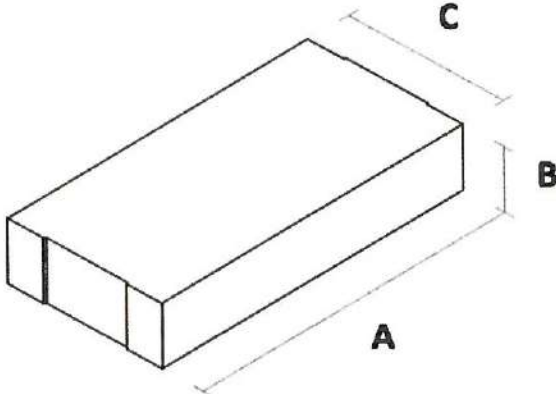
<p><i>On behalf of the manufacturer signed:</i></p> <p>in Warsaw, on 01.03.2023</p> <p><i>Place and date of issue</i></p>	<p><i>R&amp;D and Quality control manager</i></p>  <p>SYSTEM ZE S.A.        ul. Powiśle 1, 01-944 Warszawa        KRS: 000069729, REGON: 141766235        NIP: 522-309-64-36</p> <p><i>dr Patryk Bolimowski</i>  <i>Name and position, signature</i></p>
---	--



# Declaration of Performance

S3E EKO+/EU 150 WP//01/23

1. Unique identification code of the product-type:	<b>Masonry element from aggregate concrete (with lightweight aggregates) in SYSTEM 3E EKO+ technology, category I. Type: EU 150 WP</b>		
2. Intended use/es:	For masonry walls, columns and partitions		
3. Manufacturer:	SYSTEM 3E S.A. Rondo ONZ 1, 00-124 Warszawa		
4. System/s of AVCP:	System 2+		
5. Harmonised standard: Notified body/ies:	EN 771-3:2011+A1:2015 Instytut Materiałów Budowlanych i Technologii Betonu Sp. z o.o., notification nr. 2311		
6. Declared performance/s:			
<b>Essential characteristics</b>		<b>Performance</b>	
Dimensions and deviations from dimensions	Dimensions	length (A)	704 mm
		height (B)	150 mm
		width (C)	352 mm
	Deviations	D4	
Shape	 <p style="text-align: center;">Area of recesses does not exceed 20% of the elements total volume</p>		
Compressive strength	≥ 1,5 N/mm <sup>2</sup>		Cat I
Dimension stability	≤ 0,30 mm/m		
Strength of joint	shear	NPD	
	bending	NPD	
Resistance to fire	A1		
Water absorption	after 10 min:	≤ 40 g/m <sup>2</sup> * s <sup>0,5</sup>	

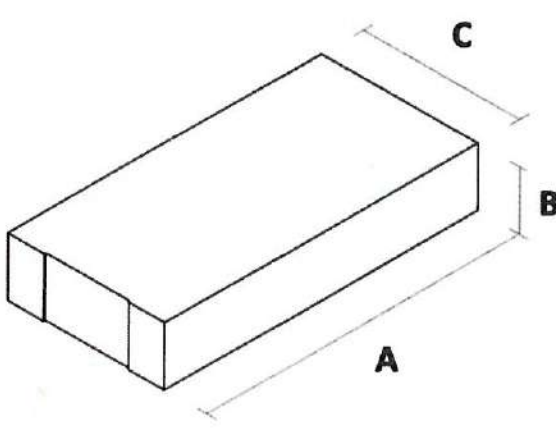
Water vapour permeability		$\mu \leq 15$
Airborne sound insulation	Gross dry density	$310 \pm 10\% \text{ kg/m}^3$
	Shape	
Thermal resistance	Thermal transmittance	$\lambda = 0,072 \pm 0,003 \text{ W/(m}^2\text{K)}$
Freeze/thaw durability		Do not expose to the outdoors
Hazardous substances		NPD

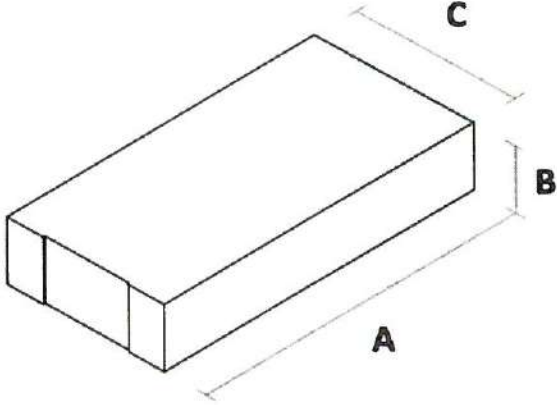
*The performance of the product identified above is in conformity with the set of declared performance characteristics. This declaration of performance is issued in accordance with Regulation (EU) No 305/2011 under the sole responsibility of the manufacturer identified above.*

<p><i>On behalf of the manufacturer signed:</i></p> <p>in Warsaw, on 01.03.2023</p> <p><i>Place and date of issue</i></p>	<p><i>R&amp;D and Quality control manager</i></p> <p>SYSTEM SE S.A.          ul. Pondo 10N74, 01-117 Warszawa          KRS: 0000027344, REGON: 141962395          NIP: 522-309-64-36  <i>dr Patryk Bolimowski</i>  <i>Name and position, signature</i></p>
---	--

# Declaration of Performance

S3E EKO+/EU 150 W/II/01/23

1. Unique identification code of the product-type:		<b>Masonry element from aggregate concrete (with lightweight aggregates) in SYSTEM 3E EKO+ technology, category I. Type: EU 150 W</b>	
2. Intended use/es:		For masonry walls, columns and partitions	
3. Manufacturer:		<b>SYSTEM 3E S.A.</b> Rondo ONZ 1, 00-124 Warszawa	
4. System/s of AVCP:		<b>System 2+</b>	
5. Harmonised standard: Notified body/ies:		<b>EN 771-3:2011+A1:2015</b> Instytut Materiałów Budowlanych i Technologii Betonu Sp. z o.o., notification nr. 2311	
6. Declared performance/s:			
<b>Essential characteristics</b>		<b>Performance</b>	
Dimensions and deviations from dimensions	Dimensions	length (A)	704 mm
		height (B)	150 mm
		width (C)	352 mm
	Deviations	D4	
Shape		 <p>Area of recesses does not exceed 20% of the elements total volume</p>	
Compressive strength		$\geq 1,5 \text{ N/mm}^2$	Cat I
Dimension stability		$\leq 0,30 \text{ mm/m}$	
Strength of joint	shear	NPD	
	bending	NPD	
Resistance to fire		A1	
Water absorption		after 10 min:	$\leq 40 \text{ g/m}^2 \cdot \text{s}^{0,5}$
Water vapour permeability		$\mu \leq 15$	

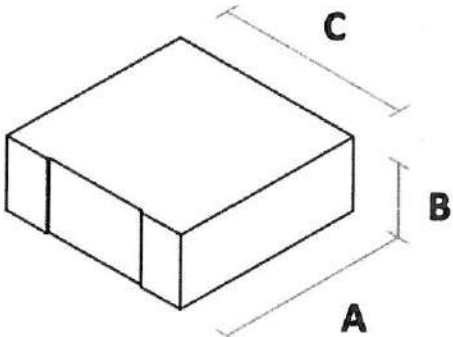
Airborne sound insulation	Gross dry density	310±10% kg/m <sup>3</sup>
	Shape	
Thermal resistance	Thermal transmittance	$\lambda = 0,072 \pm 0,003 \text{ W}/(\text{m} \cdot \text{K})$
Freeze/thaw durability	Do not expose to the outdoors	
Hazardous substances	NPD	

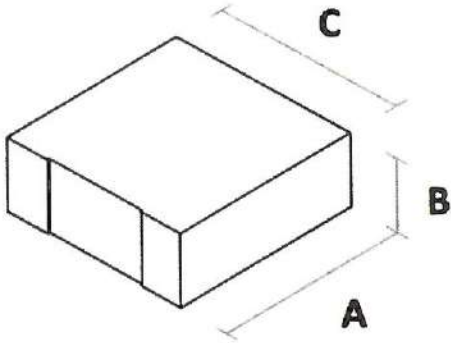
*The performance of the product identified above is in conformity with the set of declared performance characteristics. This declaration of performance is issued in accordance with Regulation (EU) No 305/2011 under the sole responsibility of the manufacturer identified above.*

<p><i>On behalf of the manufacturer signed:</i></p> <p>in Warsaw, on 01.03.2023</p> <p><i>Place and date of issue</i></p>	<p><i>R&amp;D and Quality control manager</i></p> <p>SYSTEM 3E S.A.          ul. Pondska 2/17 1100434 Warszawa          KRS: 0000387344 NIP: 522-309-64-36          dr Patryk Bolimowski  <i>Name and position, signature</i></p>
---	---

# Declaration of Performance

S3E EKO+/EU.2 150 W/I/01/23

1. <i>Unique identification code of the product-type:</i>		<b>Masonry element from aggregate concrete (with lightweight aggregates) in SYSTEM 3E EKO+ technology, category I. Type: EU/2 150 W</b>	
2. <i>Intended use/es:</i>		For masonry walls, columns and partitions	
3. <i>Manufacturer:</i>		<b>SYSTEM 3E S.A.</b> Rondo ONZ 1, 00-124 Warszawa	
4. <i>System/s of AVCP:</i>		<b>System 2+</b>	
5. <i>Harmonised standard:</i> <i>Notified body/ies:</i>		<b>EN 771-3:2011+A1:2015</b> Instytut Materiałów Budowlanych i Technologii Betonu Sp. z o.o., notification nr. 2311	
6. <i>Declared performance/s:</i>			
<b>Essential characteristics</b>		<b>Performance</b>	
Dimensions and deviations from dimensions	Dimensions	length (A)	352 mm
		height (B)	150 mm
		width (C)	352 mm
	Deviations	D4	
Shape	 <p style="text-align: center;">Area of recesses does not exceed 20% of the elements total volume</p>		
Compressive strength		≥ 1,5 N/mm <sup>2</sup> Cat I	
Dimension stability		≤ 0,30 mm/m	
Strength of joint	shear	NPD	
	bending	NPD	
Resistance to fire		A1	
Water absorption		after 10 min: ≤ 40 g/m <sup>2</sup> * s <sup>0,5</sup>	
Water vapour permeability		μ ≤ 15	

Airborne sound insulation	Gross dry density	310±10% kg/m <sup>3</sup>
	Shape	
Thermal resistance	Thermal transmittance	$\lambda = 0,072 \pm 0,003 \text{ W}/(\text{m} \cdot \text{K})$
Freeze/thaw durability	Do not expose to the outdoors	
Hazardous substances	NPD	

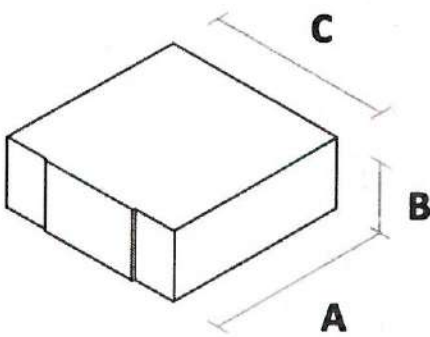
The performance of the product identified above is in conformity with the set of declared performance characteristics. This declaration of performance is issued in accordance with Regulation (EU) No 305/2011 under the sole responsibility of the manufacturer identified above.

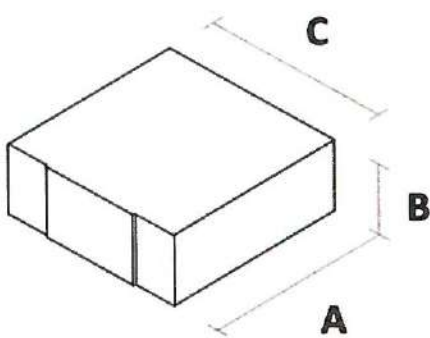
<p>On behalf of the manufacturer signed:</p> <p>in Warsaw, on 01.03.2023</p> <p>Place and date of issue</p>	<p>R&amp;D and Quality control manager</p> <p>SYSTEM 3E S.A.</p> <p>ul. Bonda 0912 1 52-1131 w/warszawa</p> <p>KRS 000067344, REGON 1467562355</p> <p>NIP: 522-309-64-36</p> <p><i>dr Patryk Bolimowski</i></p> <p>Name and position, signature</p>
---	---




# Declaration of Performance

S3E EKO+/EU.2 150 P/II/01/23

1. Unique identification code of the product-type:	<b>Masonry element from aggregate concrete (with lightweight aggregates) in SYSTEM 3E EKO+ technology, category I. Type: EU/2 150 P</b>		
2. Intended use/es:	For masonry walls, columns and partitions		
3. Manufacturer:	<b>SYSTEM 3E S.A.</b> Rondo ONZ 1, 00-124 Warszawa		
4. System/s of AVCP:	<b>System 2+</b>		
5. Harmonised standard: Notified body/ies:	<b>EN 771-3:2011+A1:2015</b> Instytut Materiałów Budowlanych i Technologii Betonu Sp. z o.o., notification nr. 2311		
6. Declared performance/s:			
<b>Essential characteristics</b>		<b>Performance</b>	
Dimensions and deviations from dimensions	Dimensions	length (A)	352 mm
		height (B)	150 mm
		width (C)	352 mm
	Deviations	D4	
Shape	 <p style="text-align: center;">Area of recesses does not exceed 20% of the elements total volume</p>		
Compressive strength	≥ 1,5 N/mm <sup>2</sup>		Cat I
Dimension stability	≤ 0,30 mm/m		
Strength of joint	shear	NPD	
	bending	NPD	
Resistance to fire	A1		
Water absorption	after 10 min:	≤ 40 g/m <sup>2</sup> * s <sup>0,5</sup>	
Water vapour permeability	μ ≤ 15		

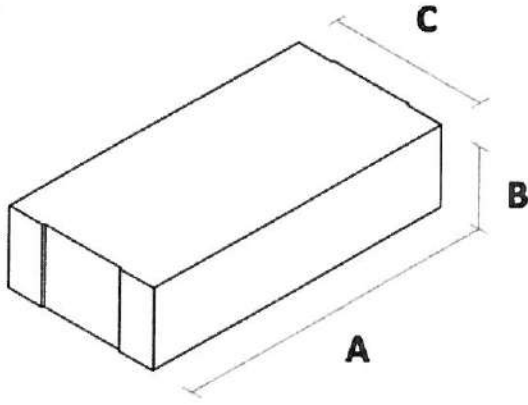
Airborne sound insulation	Gross dry density	310±10% kg/m <sup>3</sup>
	Shape	
Thermal resistance	Thermal transmittance	$\lambda = 0,072 \pm 0,003 \text{ W}/(\text{m} \cdot \text{K})$
Freeze/thaw durability	Do not expose to the outdoors	
Hazardous substances	NPD	

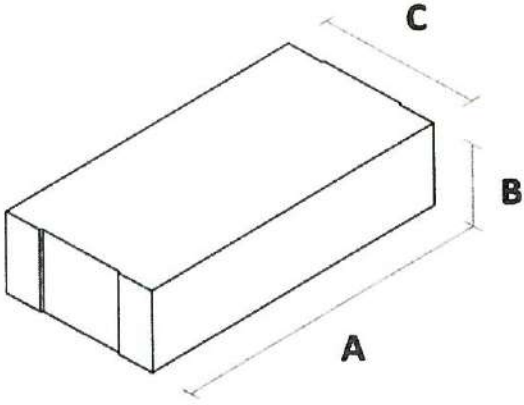
*The performance of the product identified above is in conformity with the set of declared performance characteristics. This declaration of performance is issued in accordance with Regulation (EU) No 305/2011 under the sole responsibility of the manufacturer identified above.*

<p><i>On behalf of the manufacturer signed:</i></p> <p>in Warsaw, on 01.03.2023</p> <p><i>Place and date of issue</i></p>	<p><i>R&amp;D and Quality control manager</i></p>  <p>SYSTEM 3E S.A. ul. Pordos 042-1, 01-224, Warszawa KRS: 000055543, NIP: 527362355 MIP: 527362355</p> <p><i>dr Patryk Bolimowski</i> <i>Name and position, signature</i></p>
---	--


# Declaration of Performance

S3E EKO+/EU 200 WP/1/01/23

1. <i>Unique identification code of the product-type:</i>		<b>Masonry element from aggregate concrete (with lightweight aggregates) in SYSTEM 3E EKO+ technology, category I. Type: EU 200 WP</b>	
2. <i>Intended use/es:</i>		For masonry walls, columns and partitions	
3. <i>Manufacturer:</i>		<b>SYSTEM 3E S.A.</b> Rondo ONZ 1, 00-124 Warszawa	
4. <i>System/s of AVCP:</i>		<b>System 2+</b>	
5. <i>Harmonised standard: Notified body/ies:</i>		<b>EN 771-3:2011+A1:2015</b> Instytut Materiałów Budowlanych i Technologii Betonu Sp. z o.o., notification nr. 2311	
6. <i>Declared performance/s:</i>			
<b>Essential characteristics</b>		<b>Performance</b>	
Dimensions and deviations from dimensions	Dimensions	length (A)	704 mm
		height (B)	200 mm
		width (C)	352 mm
	Deviations	D4	
Shape		 <p style="text-align: center;">Area of recesses does not exceed 20% of the elements total volume</p>	
Compressive strength		≥ 1,5 N/mm <sup>2</sup> Cat I	
Dimension stability		≤ 0,30 mm/m	
Strength of joint	shear	NPD	
	bending	NPD	
Resistance to fire		A1	
Water absorption		after 10 min:      ≤ 40 g/m <sup>2</sup> * s <sup>0,5</sup>	

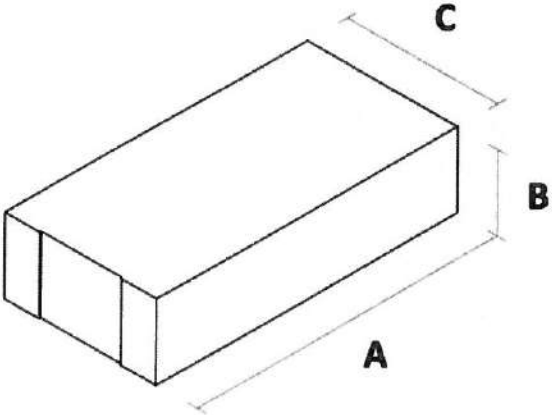
Water vapour permeability		$\mu \leq 15$
Airborne sound insulation	Gross dry density	$310 \pm 10\% \text{ kg/m}^3$
	Shape	
Thermal resistance	Thermal transmittance	$\lambda = 0,072 \pm 0,003 \text{ W/(m}^2\text{K)}$
Freeze/thaw durability	Do not expose to the outdoors	
Hazardous substances	NPD	

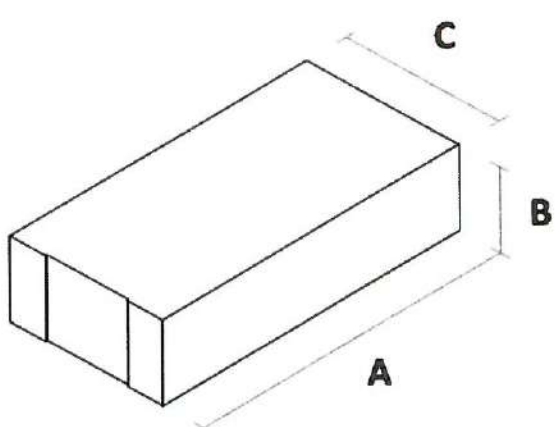
*The performance of the product identified above is in conformity with the set of declared performance characteristics. This declaration of performance is issued in accordance with Regulation (EU) No 305/2011 under the sole responsibility of the manufacturer identified above.*

<p><i>On behalf of the manufacturer signed:</i></p> <p>in Warsaw, on 01.03.2023</p> <p><i>Place and date of issue</i></p>	<p><i>R&amp;D and Quality control manager</i></p>  <p>SYSTEM 3E S.A. ul. Bonda 142, 01-237 Warszawa KRS: 0000587341 REGON: 507862355 NIP: dr Patryk Bolimowski <i>Name and position, signature</i></p>
---	--

# Declaration of Performance

S3E EKO+/EU 200 W/1/01/23

1. Unique identification code of the product-type:	<b>Masonry element from aggregate concrete (with lightweight aggregates) in SYSTEM 3E EKO+ technology, category I. Type: EU 200 W</b>		
2. Intended use/es:	For masonry walls, columns and partitions		
3. Manufacturer:	SYSTEM 3E S.A. Rondo ONZ 1, 00-124 Warszawa		
4. System/s of AVCP:	System 2+		
5. Harmonised standard: Notified body/ies:	EN 771-3:2011+A1:2015 Instytut Materiałów Budowlanych i Technologii Betonu Sp. z o.o., notification nr. 2311		
6. Declared performance/s:			
<b>Essential characteristics</b>		<b>Performance</b>	
Dimensions and deviations from dimensions	Dimensions	length (A)	704 mm
		height (B)	200 mm
		width (C)	352 mm
	Deviations	D4	
Shape	 <p style="text-align: center;">Area of recesses does not exceed 20% of the elements total volume</p>		
Compressive strength	≥ 1,5 N/mm <sup>2</sup>		Cat I
Dimension stability	≤ 0,30 mm/m		
Strength of joint	shear	NPD	
	bending	NPD	
Resistance to fire	A1		
Water absorption	after 10 min:	≤ 40 g/m <sup>2</sup> * s <sup>0,5</sup>	

Water vapour permeability		$\mu \leq 15$
Airborne sound insulation	Gross dry density	$310 \pm 10\% \text{ kg/m}^3$
	Shape	
Thermal resistance	Thermal transmittance	$\lambda = 0,072 \pm 0,003 \text{ W/(m}^2\text{K)}$
Freeze/thaw durability	Do not expose to the outdoors	
Hazardous substances	NPD	

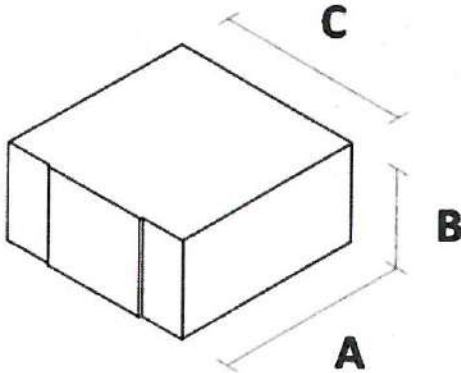
The performance of the product identified above is in conformity with the set of declared performance characteristics. This declaration of performance is issued in accordance with Regulation (EU) No 305/2011 under the sole responsibility of the manufacturer identified above.

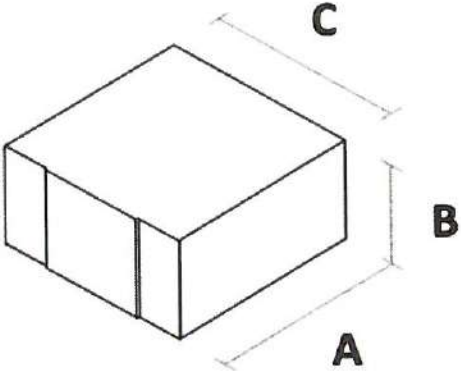
<p>On behalf of the manufacturer signed:</p> <p>in Warsaw, on 01.03.2023</p> <p>Place and date of issue</p>	<p>R&amp;D and Quality control manager</p> <p>SYSTEM 3E S.A.</p> <p>ul. Pondo 101, 05-116 Warszawa</p> <p>KRS/0000987341, REGON/1437667355</p> <p>NIP: 522-309-64-36</p> <p>dr Patryk Bolimowski</p> <p>Name and position, signature</p>
---	--




# Declaration of Performance

S3E EKO+/EU.2 200 P/II/01/23

1. <i>Unique identification code of the product-type:</i>		<b>Masonry element from aggregate concrete (with lightweight aggregates) in SYSTEM 3E EKO+ technology, category I. Type: EU/2 200 P</b>	
2. <i>Intended use/es:</i>		For masonry walls, columns and partitions	
3. <i>Manufacturer:</i>		<b>SYSTEM 3E S.A.</b> Rondo ONZ 1, 00-124 Warszawa	
4. <i>System/s of AVCP:</i>		<b>System 2+</b>	
5. <i>Harmonised standard: Notified body/ies:</i>		<b>EN 771-3:2011+A1:2015</b> Instytut Materiałów Budowlanych i Technologii Betonu Sp. z o.o., notification nr. 2311	
6. <i>Declared performance/s:</i>			
<b>Essential characteristics</b>		<b>Performance</b>	
Dimensions and deviations from dimensions	Dimensions	length (A)	352 mm
		height (B)	200 mm
		width (C)	352 mm
	Deviations	D4	
Shape	 <p style="text-align: center;">Area of recesses does not exceed 20% of the elements total volume</p>		
Compressive strength		≥ 1,5 N/mm <sup>2</sup>	Cat I
Dimension stability		≤ 0,30 mm/m	
Strength of joint	shear	NPD	
	bending	NPD	
Resistance to fire		A1	
Water absorption		after 10 min:	≤ 40 g/m <sup>2</sup> * s <sup>0,5</sup>
Water vapour permeability		μ ≤ 15	

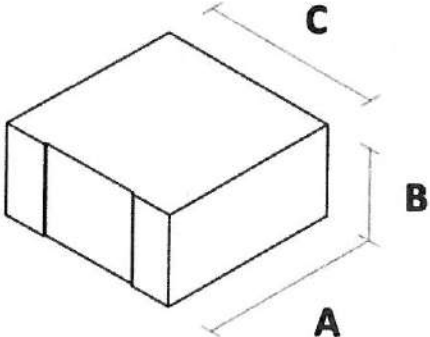
Airborne sound insulation	Gross dry density	310±10% kg/m <sup>3</sup>
	Shape	
Thermal resistance	Thermal transmittance	$\lambda = 0,072 \pm 0,003 \text{ W}/(\text{m} \cdot \text{K})$
Freeze/thaw durability	Do not expose to the outdoors	
Hazardous substances	NPD	

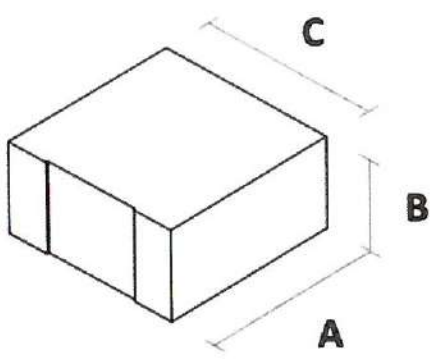
The performance of the product identified above is in conformity with the set of declared performance characteristics. This declaration of performance is issued in accordance with Regulation (EU) No 305/2011 under the sole responsibility of the manufacturer identified above.

<p>On behalf of the manufacturer signed:</p> <p>in Warsaw, on 01.03.2023</p> <p>Place and date of issue</p>	<p>R&amp;D and Quality control manager</p>  <p>SYSTEM 3E S.A.  ul. Pando 05-100-104 Wodzisław  KRS 0000673142110011 527662355  NIP: 522-702-64-36</p> <p>dr Patryk Bolimowski  Name and position, signature</p>
---	---

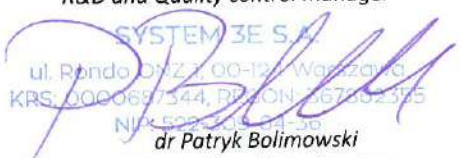
# Declaration of Performance

S3E EKO+/EU.2 200 W/I/01/23

1. Unique identification code of the product-type:		<b>Masonry element from aggregate concrete (with lightweight aggregates) in SYSTEM 3E EKO+ technology, category I. Type: EU/2 200 W</b>	
2. Intended use/es:		For masonry walls, columns and partitions	
3. Manufacturer:		<b>SYSTEM 3E S.A.</b> Rondo ONZ 1, 00-124 Warszawa	
4. System/s of AVCP:		<b>System 2+</b>	
5. Harmonised standard: Notified body/ies:		<b>EN 771-3:2011+A1:2015</b> Instytut Materiałów Budowlanych i Technologii Betonu Sp. z o.o., notification nr. 2311	
6. Declared performance/s:			
<b>Essential characteristics</b>		<b>Performance</b>	
Dimensions and deviations from dimensions	Dimensions	length (A)	352 mm
		height (B)	200 mm
		width (C)	352 mm
	Deviations	D4	
Shape	 <p style="text-align: center;">Area of recesses does not exceed 20% of the elements total volume</p>		
Compressive strength		≥ 1,5 N/mm <sup>2</sup> Cat I	
Dimension stability		≤ 0,30 mm/m	
Strength of joint	shear	NPD	
	bending	NPD	
Resistance to fire		A1	
Water absorption		after 10 min:      ≤ 40 g/m <sup>2</sup> * s <sup>0,5</sup>	
Water vapour permeability		μ ≤ 15	

Airborne sound insulation	Gross dry density	310±10% kg/m <sup>3</sup>
	Shape	
Thermal resistance	Thermal transmittance	$\lambda = 0,072 \pm 0,003 \text{ W}/(\text{m}^*\text{K})$
Freeze/thaw durability	Do not expose to the outdoors	
Hazardous substances	NPD	

The performance of the product identified above is in conformity with the set of declared performance characteristics. This declaration of performance is issued in accordance with Regulation (EU) No 305/2011 under the sole responsibility of the manufacturer identified above.

<p>On behalf of the manufacturer signed:</p> <p>in Warsaw, on 01.03.2023</p> <p>Place and date of issue</p>	<p>R&amp;D and Quality control manager</p> <p>SYSTEM 3E S.A.  ul. Pondo 012 1 00-120 Warszawa  KRS: 0000697344, REGON: 1467302375  NIP: 525-221-24-90</p>  <p>dr Patryk Bolimowski  Name and position, signature</p>
---	--